

IMPACT67 COMPACT MODULE, PLASTIC

Profinet, 16 dig. Out

Digital outputs

DO16 - 0.5 A

Ethernet 10/100 Mbit/s; M12, D-coded

7/8", 5-pole, 2× max. 9 A

M12, 5-pole, A-coded

Connection cables are in the online shop under "Connection Technology".

Housing fully potted.

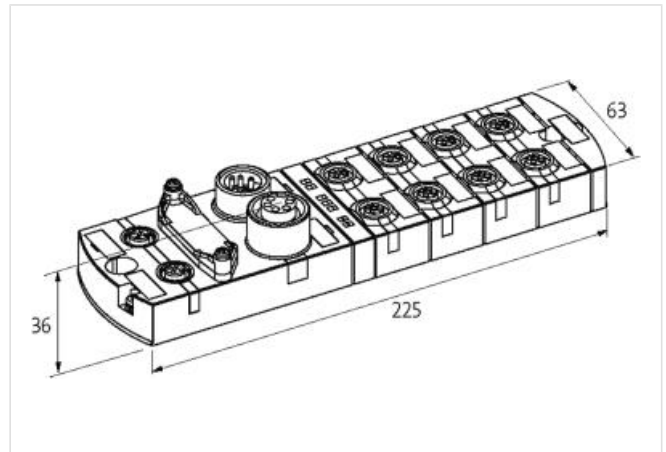
mounting compatible with I/O modules of the MVK series

[Link a termékhez](#)

Ábrák



Szimbolikus ábra



Commercial data

ECLASS-6.0	27242604
ECLASS-6.1	27242604
ECLASS-7.0	27242604
ECLASS-8.0	27242604
ECLASS-9.0	27242604
ECLASS-10.1	27242604
ECLASS-11.1	27242604
ECLASS-12.0	27242604
ETIM-5.0	EC001599
customs tariff number	85389099
GTIN	4048879051880
Packaging unit	1

Electrical data | Supply

Total current UA max.	9 A
Total current US max.	9 A

Electrical data | Output

Overload resistant	yes
Short-circuit protected	yes
Output current per pin max.	0,5 A
Industrial communication Profinet	
PROFINET addressing	DCP
Diagnostics	
Diagnostic	No voltage, Under voltage
Diagnostic via BUS	per module and channel
Diagnostic via LED	per module and channel
LED display	Ethernet connection/data traffic
Device protection Electrical	
Degree of protection (EN IEC 60529)	IP67
Mechanical data Mounting data	
Suitable for mounting type	2-hole screw mounting
Height	39 mm
Width	63 mm
Depth	225 mm
Environmental characteristics Climatic	
Operating temperature min.	-25 °C
Operating temperature max.	55 °C
Storage temperature min.	-25 °C
Storage temperature max.	70 °C
Connection type 4	
Connection type 1	0-7
Connection type 2	Port1, Port2
Connection type 3	Power In
Connection type 4	Power Out
Family construction form	M12
Gender	female
Color contact carrier	black
Coding	A
No. of poles	5
PIN 1	n.c.
PIN 2	DO 10-17
PIN 3	0 V
PIN 4	DO 00-07
PIN 5	PE
Mounting method	inserted, screwed
Tightening torque	0,6 Nm
Family construction form	M12
Gender	female
Color contact carrier	black
Coding	D
No. of poles	4
PIN 1	TD +
PIN 2	RD +
PIN 3	TD -
PIN 4	RD -
Family construction form	7/8"
Gender	male
Color contact carrier	black

No. of poles	5
PIN 1	0 V
PIN 2	0 V
PIN 3	PE
PIN 4	24 V DC (US)
PIN 5	24 V DC (UA)
Family construction form	7/8"
Gender	female
Color contact carrier	black
No. of poles	5
PIN 1	0 V
PIN 2	0 V
PIN 3	PE
PIN 4	24 V DC (US)
PIN 5	24 V DC (UA)