

M12 male 0° A-cod. screw terminal4-pol., 0,14 - 1,5mm², 2,5 - 8mm

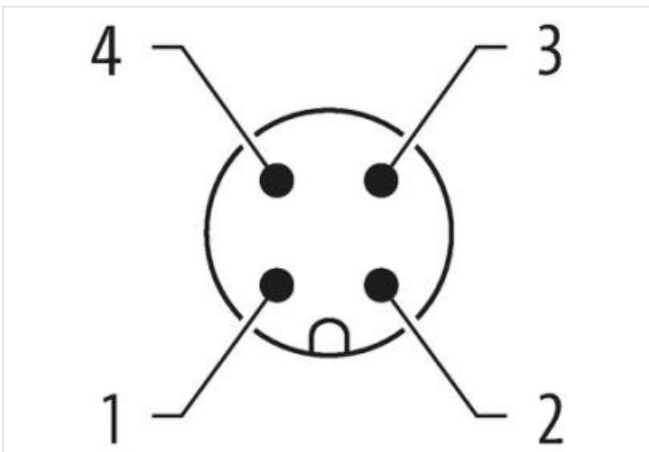
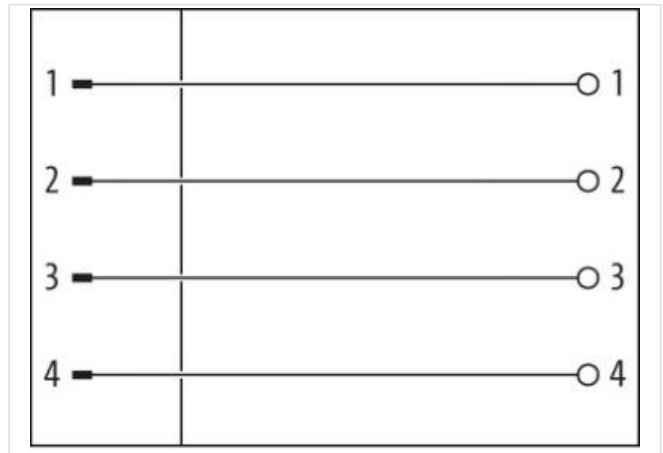
Male straight

M12, 4-pole

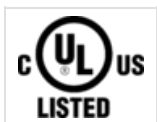
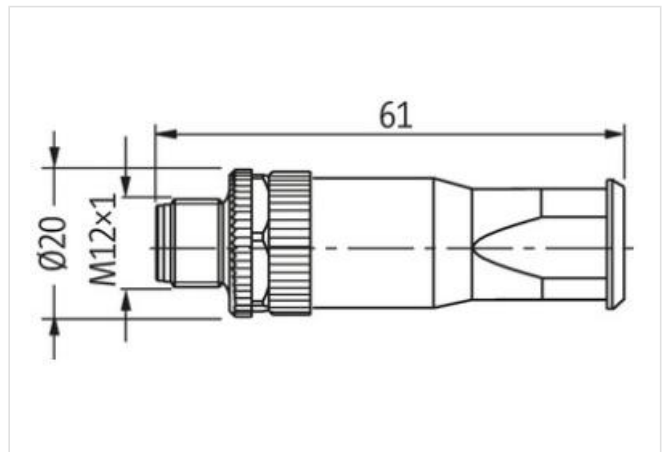
Screw terminals

Plastic housings with good resistance against chemicals and oils.

The resistance to aggressive media should be individually tested for your application. Further details on request.

[Link a termékhez](#)**Ábrák**

Szimbolikus ábra

**Side 1**

Family construction form	M12
Degree of protection (EN IEC 60529)	IP67

Commercial data

ECLASS-6.0	27279221
------------	----------

ECLASS-7.0	27440104
ECLASS-8.0	27440104
ECLASS-9.0	27440102
ECLASS-10.1	27440102
ECLASS-11.1	27440102
ECLASS-12.0	27440116
ETIM-5.0	EC001855
customs tariff number	85366990
GTIN	4048879839105
Packaging unit	1

Electrical data | Supply

Operating voltage AC max.	250 V
Operating voltage DC max.	250 V
Operating current per contact max. (40°C)	7,5 A

Installation

Connection cross section min.	0,14 mm ²
Connection cross section max.	1,5 mm ²

Installation | Connection

Tightening torque	0,6 Nm
Width across flats	SW18
Mating cycles min.	100

Device protection | Electrical

Additional condition protection degree	screwed, mounted
Pollution Degree	3/2
Insulation resistance min.	100 MΩ

Mechanical data | Mounting data

Mounting method	Schraubgewinde
Clamping range min.	2,5 mm
Clamping range max.	8 mm
Height	61 mm
Width	20 mm
Depth	20 mm

Environmental characteristics | Climatic

Operating temperature min.	-30 °C
Operating temperature max.	85 °C

Important installation notes

Note on strain relief	Protect the connectors by suitable measures from mechanical loads, e.g. by the usage of cable ties.
Note on bending radius	Attention: Observe the permissible bending radii when laying cables, as the IP protection class can be endangered by excessive bending forces.