

### M12 female 0° A-cod. screw terminal

4-pol., 0,14 - 1,5mm<sup>2</sup>, 2,5 - 8mm

Female straight

M12, 4-pole

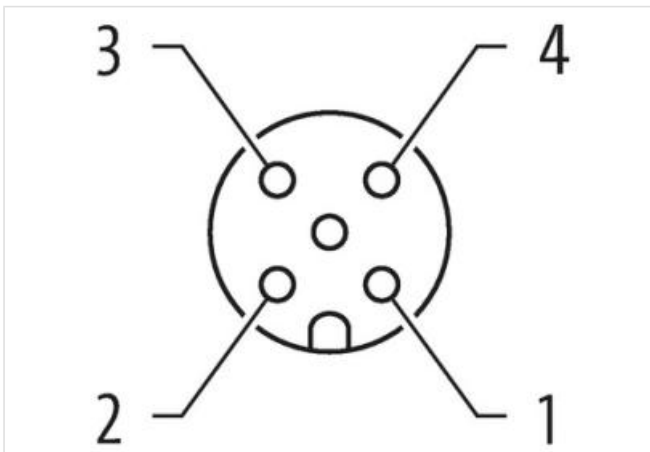
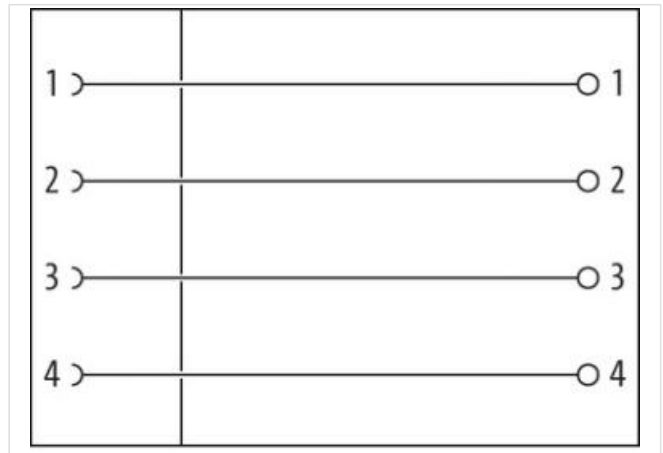
Screw terminals

Plastic housings with good resistance against chemicals and oils.

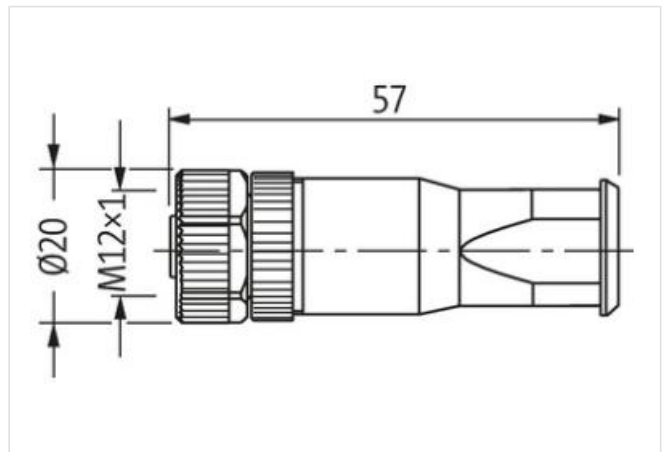
The resistance to aggressive media should be individually tested for your application. Further details on request.

### [Link a termékhez](#)

#### Ábrák



Szimbolikus ábra



#### Side 1

Degree of protection (EN IEC 60529)

IP67

#### Commercial data

ECLASS-6.0 27279221

ECLASS-7.0 27440104

ECLASS-8.0 27440104

ECLASS-9.0	27440102
ECLASS-10.1	27440102
ECLASS-11.1	27440102
ECLASS-12.0	27440116
ETIM-5.0	EC001855
customs tariff number	85366990
GTIN	4048879838887
Packaging unit	1

**Electrical data | Supply**

Operating voltage AC max.	250 V
Operating voltage DC max.	250 V
Operating current per contact max. (40°C)	7,5 A

**Installation**

Connection cross section min.	0,14 mm <sup>2</sup>
Connection cross section max.	1,5 mm <sup>2</sup>

**Installation | Connection**

Tightening torque	0,6 Nm
Mating cycles min.	100

**Device protection | Electrical**

Additional condition protection degree	screwed, mounted
Pollution Degree	3/2
Insulation resistance min.	100 MΩ

**Mechanical data | Mounting data**

Mounting method	Schraubgewinde
Clamping range min.	2,5 mm
Clamping range max.	8 mm
Height	57 mm
Width	20 mm
Depth	20 mm

**Environmental characteristics | Climatic**

Operating temperature min.	-30 °C
Operating temperature max.	85 °C

**Important installation notes**

Note on strain relief	Protect the connectors by suitable measures from mechanical loads, e.g. by the usage of cable ties.
Note on bending radius	<b>Attention:</b> Observe the permissible bending radii when laying cables, as the IP protection class can be endangered by excessive bending forces.