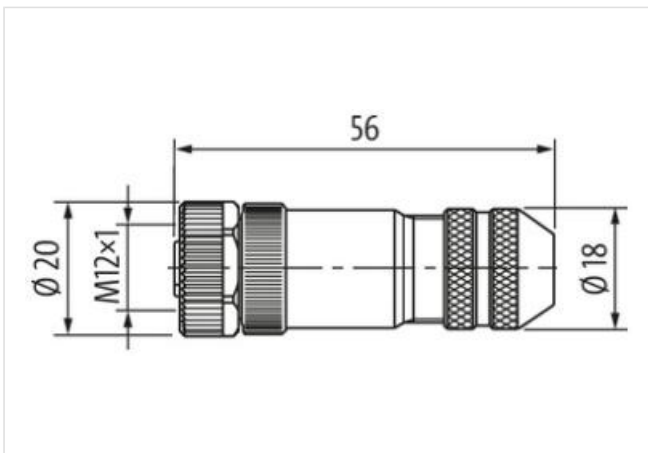
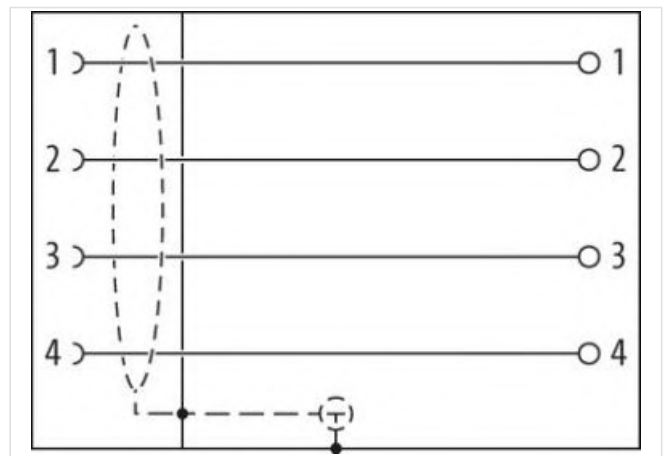
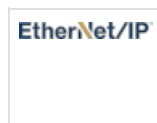
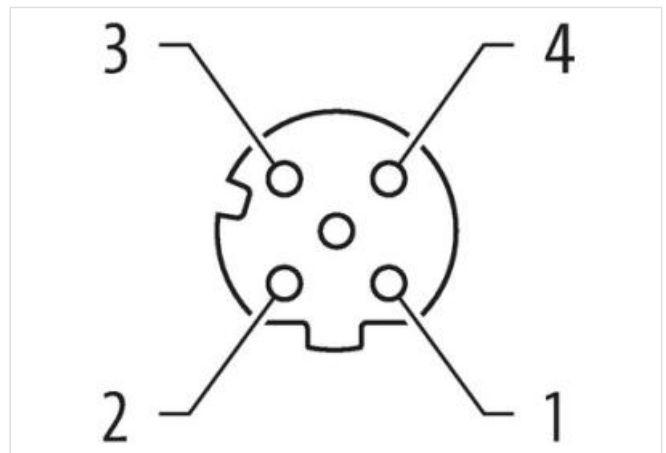


M12 female 0° D-cod. IDC4-pol., 0,14 - 0,34mm², 4,5 - 8,8mm, shielded

Ethernet CAT5
 Female straight
 M12, 4-pole
 D-coded
 shielded
 IDC terminals
 Sealing range (cable Ø): 4.5...8.8 mm

[Link a termékhez](#)**Ábrák**

Szimbolikus ábra

**Side 1**

Tightening torque	0,6 Nm
Family construction form	M12
Coding	D

Degree of protection (EN IEC 60529) IP65, IP67

Commercial data

ECLASS-6.0	27279221
ECLASS-6.1	27260702
ECLASS-7.0	27440102
ECLASS-8.0	27440102
ECLASS-9.0	27440116
ECLASS-10.1	27440102
ECLASS-11.1	27440102
ECLASS-12.0	27440116
ETIM-5.0	EC002635
customs tariff number	85366990
GTIN	4048879197229
Packaging unit	1

Electrical data | Supply

Operating voltage AC max.	50 V
Operating voltage DC max.	50 V
Current operating per contact max.	4 A

Industrial communication

Transfer parameters	CAT5, Class D (ISO/IEC 11801:2002), (EN 50173-1)
Data transmission rate max.	100 MBit/s

Industrial communication | Ethernet functionality

duplex	Full duplex
--------	-------------

Installation

Connection cross section min.	0,14 mm ²
Connection cross section max.	0,34 mm ²
AWG number min.	26
AWG number max.	22

Device protection | Electrical

Additional condition protection degree	inserted, screwed
----------------------------------------	-------------------

Mechanical data | Material data

Coating locking	Nickeled
Locking material	Zinc die-casting

Mechanical data | Mounting data

Mounting method	inserted, screwed, Shaking protection
Clamping range min.	4,5 mm
Clamping range max.	8,8 mm

Environmental characteristics | Climatic

Operating temperature min.	-40 °C
Operating temperature max.	85 °C

Important installation notes

Note on strain relief	Protect the connectors by suitable measures from mechanical loads, e.g. by the usage of cable ties.
Note on bending radius	Attention: Observe the permissible bending radii when laying cables, as the IP protection class can be endangered by excessive bending forces.