

7/8" male 0° IDC5-pol., 0,75 - 1,5mm², 6,8 - 12,5mm

Male straight

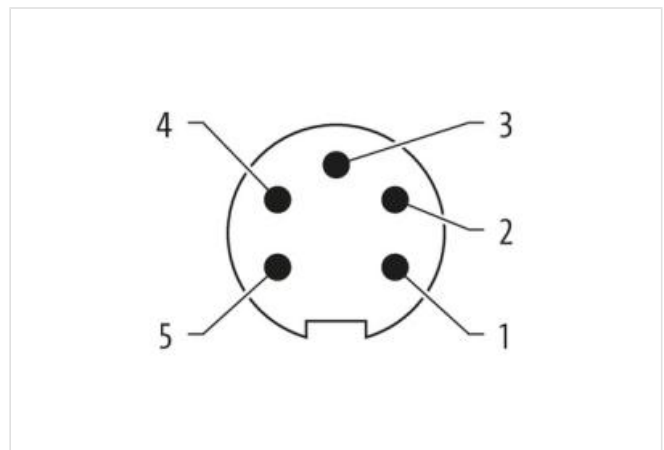
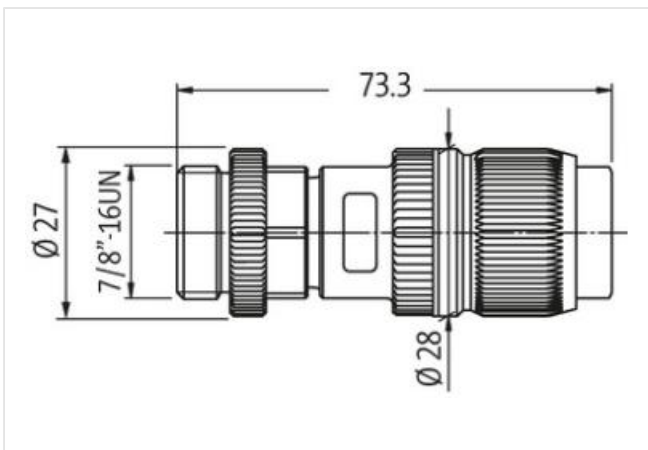
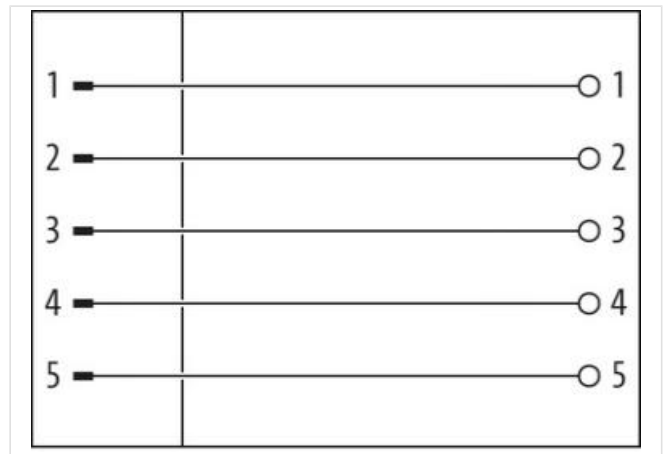
7/8" (5-pole)

IDC terminals

Connection cross section: 0.75...1.5 mm²

Plastic housings with good resistance against chemicals and oils.

The resistance to aggressive media should be individually tested for your application. Further details on request.

[Link a termékhez](#)**Ábrák**

Szimbolikus ábra

Side 1

Tightening torque	1,5 Nm
Thread	7/8"

Commercial data

ECLASS-6.0	27279218
ECLASS-6.1	27260702
ECLASS-7.0	27440102
ECLASS-8.0	27440102
ECLASS-9.0	27440116

ECLASS-10.1	27440102
ECLASS-11.1	27440102
ECLASS-12.0	27440116
ETIM-5.0	EC002635
customs tariff number	85366990
GTIN	4048879134774
Packaging unit	1

Electrical data | Supply

Current operating per contact max.	10 A
Current phase - neutral	230 V
Current phase - phase	400 V

Installation

Connection cross section min.	0,75 mm ²
Connection cross section max.	1,5 mm ²
Single wire diameter min.	0,15 mm

Installation | Connection

Wire insulation diameter max.	2,8 mm
-------------------------------	--------

Installation | Pin assignment

No. of poles	5
--------------	---

Device protection | Electrical

Degree of protection (EN IEC 60529)	IP65, IP67
Additional condition protection degree	inserted, screwed
Pollution Degree	3
Rated surge voltage	4 kV
Material group (IEC 60664-1)	I

Mechanical data | Material data

Locking material	Brass
------------------	-------

Mechanical data | Mounting data

Mounting method	inserted, screwed, Shaking protection
Clamping range min.	6,8 mm
Clamping range max.	9,5 mm

Environmental characteristics | Climatic

Operating temperature min.	-40 °C
Operating temperature max.	85 °C

Important installation notes

Note on strain relief	Protect the connectors by suitable measures from mechanical loads, e.g. by the usage of cable ties.
Note on bending radius	Attention: Observe the permissible bending radii when laying cables, as the IP protection class can be endangered by excessive bending forces.