

WORM GEAR MOTORS BAUREIHE DCK 35

Image not found

http://www.elektromotore.eu/upload/dcantriebe/DCK_35b.jpg

Technical description

Crankcase: deep-drawn, corrosion-resistant

Magnet field: permanent magnet

Mounting armature, A-position: ball-bearing

Mounting armature, B-position: cup-bearing

Gear type: worm gear wheel

Gear box: zinc diecasting

Gear wheel: plastic, optionally bronze

Lubrication: grease, permanent lubrication

Interface mechanical: output shaft

Interface electrical: connector

Specifications	
Motor type:	404885
Type:	DC
Rated voltage:	24 VDC
Idle speed:	62 UPM
Torque:	16 Nm
Stall torque:	40 Nm
Drive position:	L
Hall sensor:	2 Kanal. 1 Imp.
Drive transmission:	63:1
Gear wheel material:	Delrin 100
Direction:	L/R
Shaft 1:	W 321
Circuit diagram:	S 27
Connection:	K 320

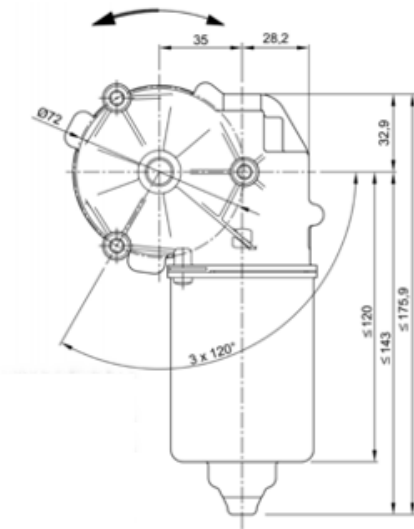
Notices

Modification of the output shaft with feather or woodruff key, plains or additional internal thread.

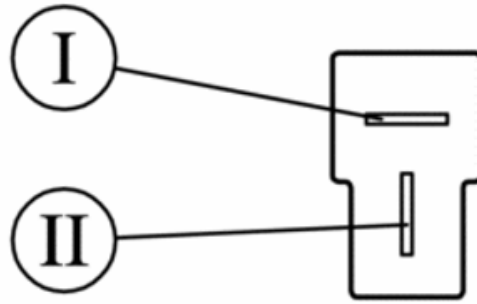
Mounting on demand of hall-IC, encoder, tacho sensor or brakes.

If required, we mount and deliver motors with any add-on parts, e.g. rubber-metal buffer, clutch or any brackets.

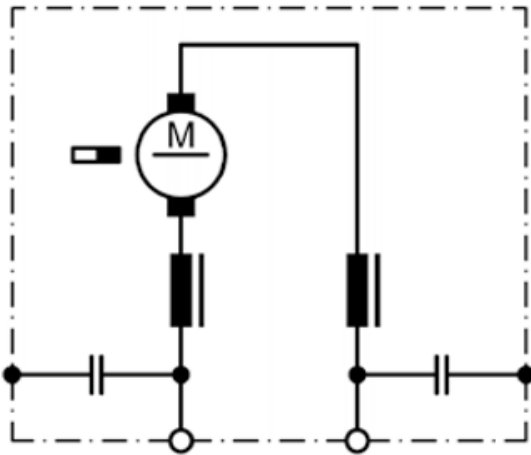
404.885



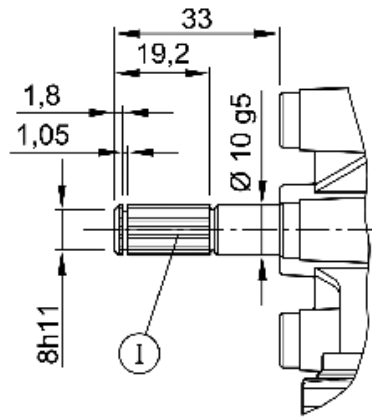
K 320



S 30



W 321



© JBW GmbH · Jakob-Baumann-Straße 5 · D-81249 München

Telefon: +49 89 - 89 74 54 30 · info@elektromotore.eu · www.elektromotore.eu

Geschäftsführer: Mirko Wilden · Registergericht München HRB 125229 · USt-ID-Nr.: DE 812670119