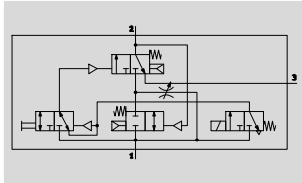






Solenoid valves MFHE

Technical data

Function



-  - Flow rate
1,200 ... 2,900 l/min
-  - Temperature range
-10 ... +60 °C
-  - Operating pressure
2 ... 10 bar/28 ... 145 psi
-  - www.festo.com



Solenoid actuated soft start valve for gradual pressure build-up in pneumatic systems. This ensures safe start-up of pneumatic systems. A minimal amount of air flows into the system via an adjustable flow control valve. Output pressure is built up slowly. Downstream cylinders and working devices are slowly advanced to their initial positions. When the

output pressure reaches approx. 50% of the supply pressure, the valve switches to full flow.

- For F solenoid coils
 - 12, 24, 42 V DC
 - 24, 42, 48, 110, 230, 240 V AC (50 ... 60 Hz)
- On-off valve in combination with service units
- Manual override, detenting

- - Note

Manual override can be detented and secured in the initial position. In the depressed position, the manual override is advanced automatically to its initial position when the valve is actuated.

- - Note

Control voltage should not be switched to downstream solenoid valves until after pressure has been built up.

General technical data			
Type	MFHE-3-1/4-B	MFHE-3-3/8	MFHE-3-1/2
Pneumatic connection 1, 2	G1/4	G3/8	G1/2
Pneumatic connection 3	G1/4	G3/8	G1/2
Nominal diameter [mm]	8	9	12
Design	Disk seat		
Type of mounting	Via through-holes		
Mounting position	Any		
Valve function	3/2-way valve, closed, single solenoid		
Exhaust function	Without flow control		
Reset method	Mechanical spring		
Actuation type	Direct		
Direction of flow	Non-reversible		
Sealing principle	Soft		
Response time on/off [ms]	12/80	20/94	28/76

Standard nominal flow rate qnN [l/min]			
Pneumatic connection	G1/4	G3/8	G1/2
In flow direction unthrottled	1,200	2,100	2,900
1 → 2 throttled	max. 150	max. 450	max. 450
In venting direction 2 → 3	1,600	2,700	3,400

- 1 - Type discontinued
Available up until 2016

FESTO

Solenoid valves MFHE

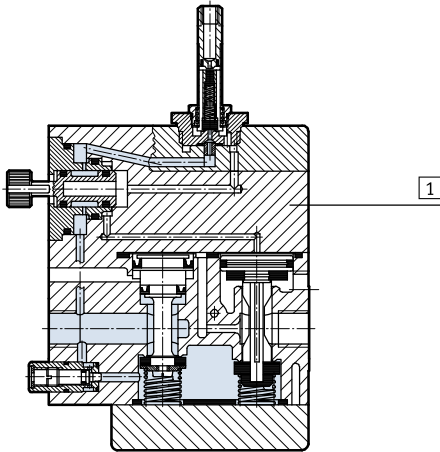
Technical data

Operating and environmental conditions		
Operating pressure	[bar]	2 ... 10
	[psi]	28 ... 145
Operating medium	Compressed air in accordance with ISO 8573-1:2010 [7:4:4]	
Note on operating/pilot medium	Operation with lubricated medium possible (in which case lubricated operation will always be required)	
Ambient temperature	[°C]	-5 ... +40
Temperature of medium	[°C]	-10 ... +60

Weights [g]			
Pneumatic connection	G $\frac{1}{4}$	G $\frac{3}{8}$	G $\frac{1}{2}$
Solenoid valve MFHE	550	800	1,000

Materials

Sectional view



Solenoid valve	
1	Housing POM, aluminium, steel, brass
-	Seals NBR
Note on materials RoHS-compliant (only MFHE-3- $\frac{1}{4}$ -B)	

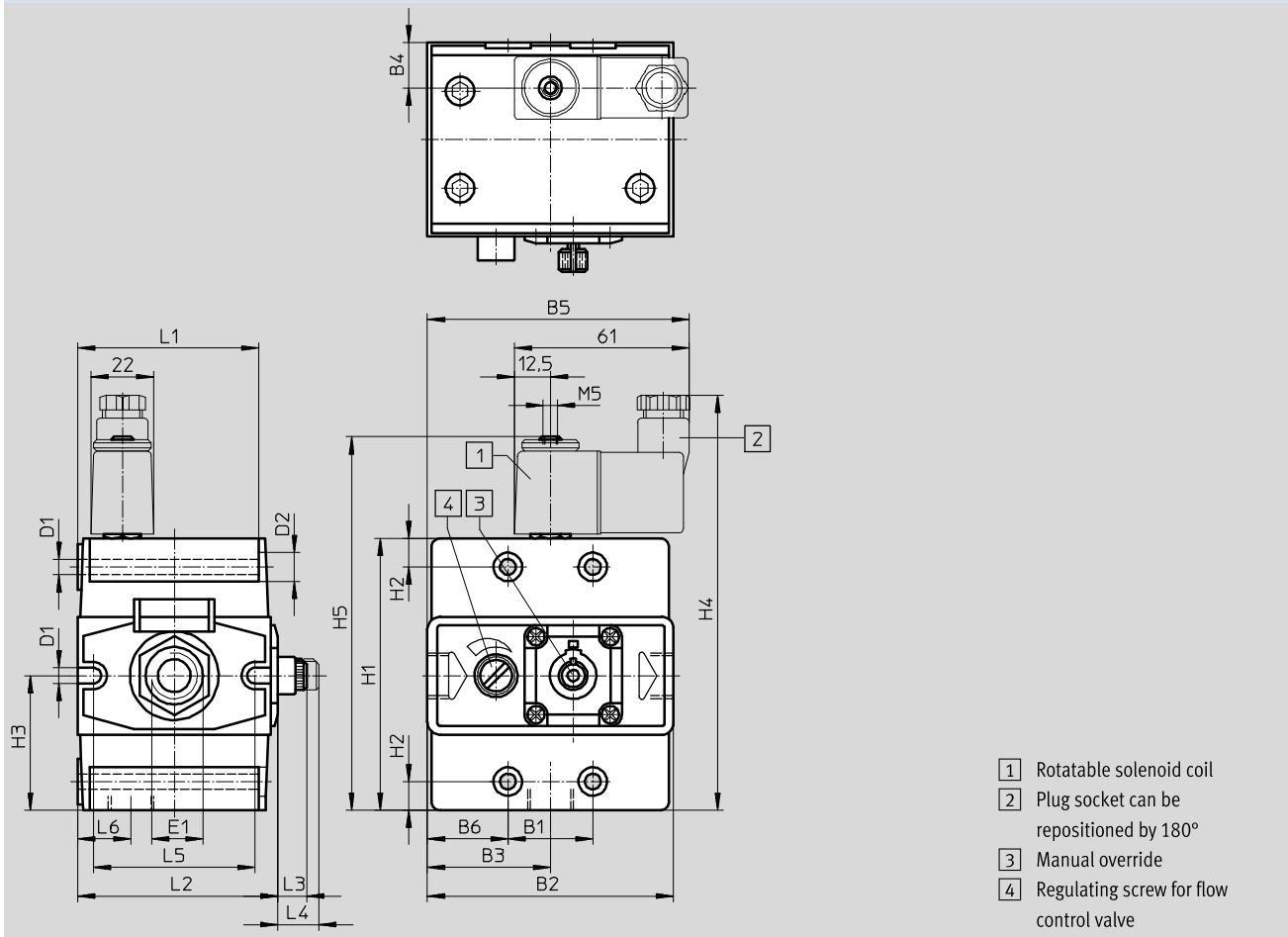
Solenoid valves MFHE

Technical data

FESTO

Dimensions

Download CAD data → www.festo.com



Type	B1	B2	B3	B4	B5	B6	D1	D2	E1	H1
MFHE-3-1/4-B	27	71	36.55	16.4	85.05	22	5.5	10	G ¹ / ₄	82
MFHE-3-3/8	29.7	86	43	15.7	91.5	28.2	5.5	10	G ³ / ₈	95
MFHE-3-1/2	29.7	90.7	45.3	20.3	93.8	30.5	6.5	11	G ¹ / ₂	98.2

Type	H2	H3	H4	H5	L1	L2	L3	L4	L5	L6
MFHE-3-1/4-B	10	40	132	116	55.6	64.3	10	14.3	47.2	16.5
MFHE-3-3/8	10	47	145	129	63.4	70.1	10	14.3	56.6	18.7
MFHE-3-1/2	10.1	46.7	148	132	71.6	76	10	14.7	63.7	22.9

Ordering data

Pneumatic connection	Part No.	Type
G ¹ / ₄	14329	MFHE-3-1/4-B
G ³ / ₈	12908	MFHE-3-3/8
G ¹ / ₂	10421	MFHE-3-1/2