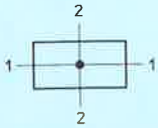


Branching module Type FRM-...-S-B



Pneumatic manifold with 4 connections, carrier for additional modules.

Consists of:

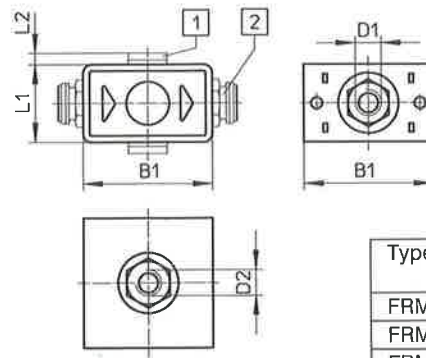
1 branching module, 1 cover shield, 6 assembly forks, 2 connectors, 2 threaded bushings, 2 plugs, 8 O-rings, 2 sealing rings.



Note:

Additional sets of nipples are required for the connection of a pressure regulator, electrical pressure switch or pressure sensor to port 2.

For design reasons, the pressure regulator Type LR-... can be fitted to the branching module (port 2) only without a pressure gauge if this module is located between the filter regulator and the lubricator.



- 1 Plug with internal hex head
- 2 Connector
- ▶ Direction of flow

Type	B ₁	D ₁	D ₂	L ₁	L ₂
FRM- ¹ / ₈ -S-B	42	G ¹ / ₈	G ¹ / ₈	27	5.3
FRM- ¹ / ₄ -S-B	60	G ¹ / ₄	G ¹ / ₄	36	5.3
FRM- ³ / ₈ -S-B	68	G ³ / ₈	G ¹ / ₄	40	5.3
FRM- ¹ / ₂ -S-B	76	G ¹ / ₂	G ¹ / ₄	51	5.3

Order code	Part No./Type	33 012 FRM- ¹ / ₈ -S-B	33 013 FRM- ¹ / ₄ -S-B	33 014 FRM- ³ / ₈ -S-B	33 015 FRM- ¹ / ₂ -S-B
Connection		1, 2: G ¹ / ₈	1, 2: G ¹ / ₄	1: G ³ / ₈ ; 2: G ¹ / ₄	1: G ¹ / ₂ ; 2: G ¹ / ₄
Weight		0.100 kg	0.215 kg	0.290 kg	0.420 kg

Nipple set Type FRM-...-BS-S-B

These nipple sets are required for the connection of a pressure regulator, electrical pressure switch or pressure sensor to port 2 of the branching module.

Type FRM-¹/₈-BS-S-B



Type FRM-¹/₄...¹/₂-BS-S-B



- Nipple set Type FRM-¹/₈-BS-S-B is used to connect a pressure regulator Type LR-¹/₈-S, an electrical pressure switch Type PEV-¹/₄-B or a pressure sensor Type SDE-... to port 2 of the branching module FRM-¹/₈-S-B.
- Nipple set Type FRM-¹/₄...¹/₂-BS-S-B is used to connect a pressure regulator Type LR-¹/₄-S-B, an electrical pressure switch Type PEV-¹/₄-B or a pressure sensor Type SDE-... to port 2 of the branching module FRM-¹/₄ to ¹/₂-S-B.

Order code	Part No./Type	33 446 FRM- ¹ / ₈ -BS-S-B	33 447 FRM- ¹ / ₄ ... ¹ / ₂ -BS-S-B
Weight		0.035 kg	0.060 kg

Connector

An additional connector is required to add a further individual unit to a service unit combination.



Order code	Part No./Type	232 062 to G ¹ / ₈	226 187 to G ¹ / ₄	241 554 to G ³ / ₈	223 365 to G ¹ / ₂
Weight		0.009 kg	0.026 kg	0.042 kg	0.070 kg