

Pressure and vacuum sensor type SDE5

FESTO



Pressure controller!

The SDE5 is the cost-effective alternative for simple, quick monitoring.

The intelligent miniature pressure sensor provides immediate information regarding the current applied pressure. It is as effective for object detection via back pressure as it is for compressed air, pressure regulation and vacuum detection. SDE5 – the new member of the SDE range.

The monitoring specialist in compressed air systems

The intelligent, configurable pressure sensor is safe and easy to install.

Minimal assembly times

thanks to integrated QS fittings, on one side or both, M8 plug connectors or free cable end, dovetailing wall bracket.

Extremely attractively priced

Highly flexible

thanks to optional output functions such as switching point hysteresis and window comparator.

Quickest, most reliable switching point setting

“at the push of a button” via simple “Teach-In”.

High operational reliability

thanks to its durable piezo-resistive pressure sensor technology, clearly visible LED, compact and sturdy design.



1st Step



2nd Step



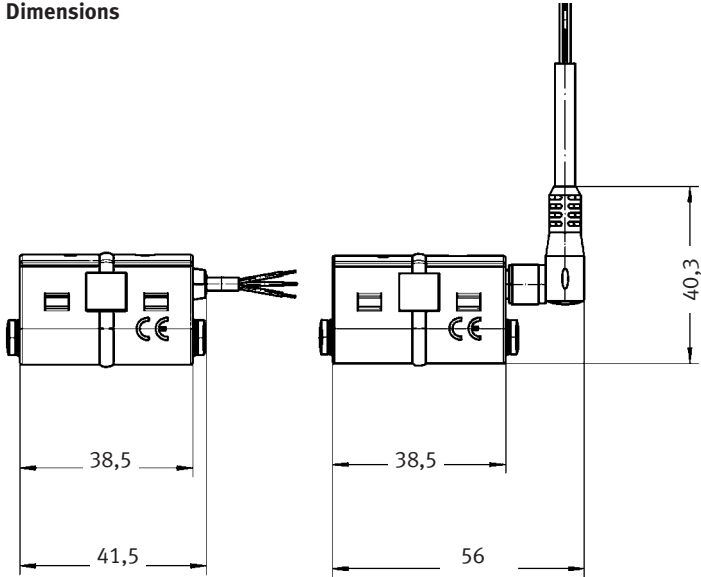
3rd Step

307.1.PSI →

Product Short Information

Pressure and vacuum sensor type SDE5

Dimensions



The SD5E with wall bracket
(included in scope of delivery)

Technical data

Type					
Measuring principle	Piezo-resistive pressure sensor				
Method of measurement	Relative pressure and differential pressure				
Installation position	Any				
Media compatibility	Filtered compressed air (40 µm) lubricated or unlubricated (non-aggressive gases)				
Measuring range [bar]	0 to 10	0 to 2	0 to -1	-1 to 1	0 to 6
Threshold value setting range	0 to 100 %				
Hysteresis setting range	0 to 100 % (mode 2)				
Reproducibility	± 0.3% FS				
Temperature coefficient	0.5 % FS/10K				
Rated operating current	Max. 100 mA				
Analogue output	0 to 10 V				
Electrical switching output	NPN, PNP				
Nominal temperature range	0 to 50 °C				
Operating voltage range	DC 15 to 30 V				
Idle current	Max. 30 mA				
Type of display	LED switching status display				
Pneumatic connections	QS4 one side/both sides QS6 one side/both sides QS 5/32" one side/both sides QS 1/4" one side/both sides				

Festo AG & Co. KG

Ruiter Strasse 82
73734 Esslingen
www.festo.com
Tel. +49 711 347-0
Fax +49 711 347-2144
service_international@festo.com