

## Pressure sensors SPAB, with display

**FESTO**



# Pressure sensors SPAB, with display

Key features, product range overview

**FESTO**

## At a glance

### Variants:

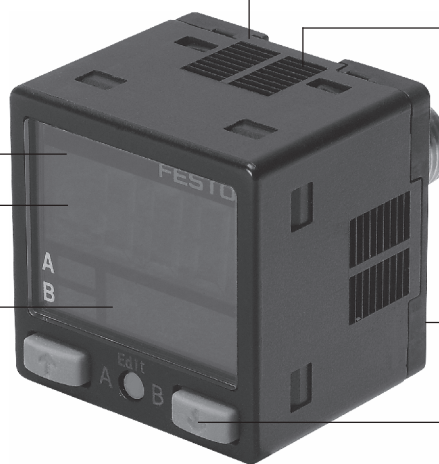
- Plug M8x1 with electric adapter SASC
- Plug, square design L1
- Cable version with connecting cable NEBU
- Threaded mounting
- Angle mounting
- Front panel mounting

### Multi-coloured, two-part display

### Alphanumeric pressure display

### Displayable units:

- bar
- inchH<sub>2</sub>O
- inchHg
- kPa
- psi
- mmHg
- kgf/cm<sup>2</sup>
- MPa



Compact design  
30 x 30 mm

### Country-specific pressure supply ports:

- G<sup>1</sup>/<sub>8</sub>
- R<sup>1</sup>/<sub>8</sub>
- NPT<sup>1</sup>/<sub>8</sub>-27
- M5 female thread

Wall or front panel mounting,  
angle mounting

High ease of use thanks to  
intuitive operator prompting

## Product description

The pressure sensor SPAB can be used in all industries thanks to its wide range of connection and configuration options and its compact size. Switching point settings are emphasised via switching status indication and switching of the display value colour. Once programmed, the settings can be transferred to other pressure sensors SPAB.

## Main applications

- Pressure/vacuum sensing
- Light assembly
- Wherever there is a need for space-saving pressure measurement with visualisation and limited robustness
- Easy identification of the system status by means of clear, colour-based switching status detection

## Key features

- Pressure measuring range -1 ... +1 or 0 ... 10 bar
- Relative pressure measurement
- Pressure supply port G<sup>1</sup>/<sub>8</sub>, R<sup>1</sup>/<sub>8</sub>, NPT<sup>1</sup>/<sub>8</sub>-27 or M5 female thread
- Electrical connection cable, plug M8x1 or plug, square design
- Switching output PNP, NPN and analogue output 1 ... 5 V
- Two-part, multi-coloured display
- Copy function (settings can be transferred from one device to another)
- Simple commissioning thanks to intuitive operation
- Compact design 30x30 mm

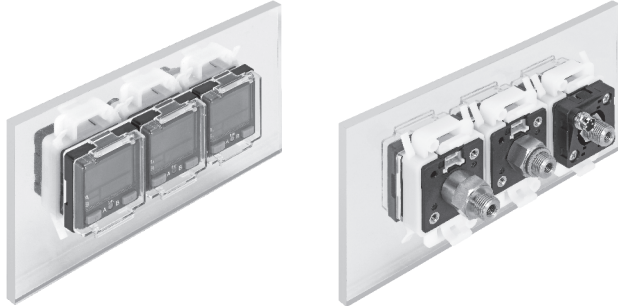
# Pressure sensors SPAB, with display

Key features, product range overview

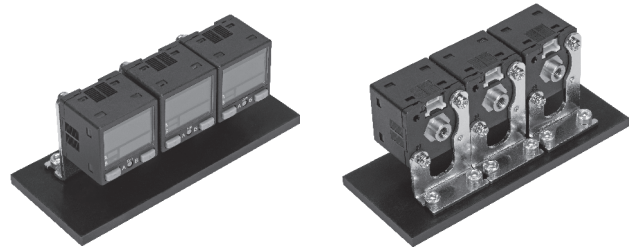


## Mounting options

Wall mounting



Manifold sub-bases via mounting bracket



Threaded mounting with adapter M8



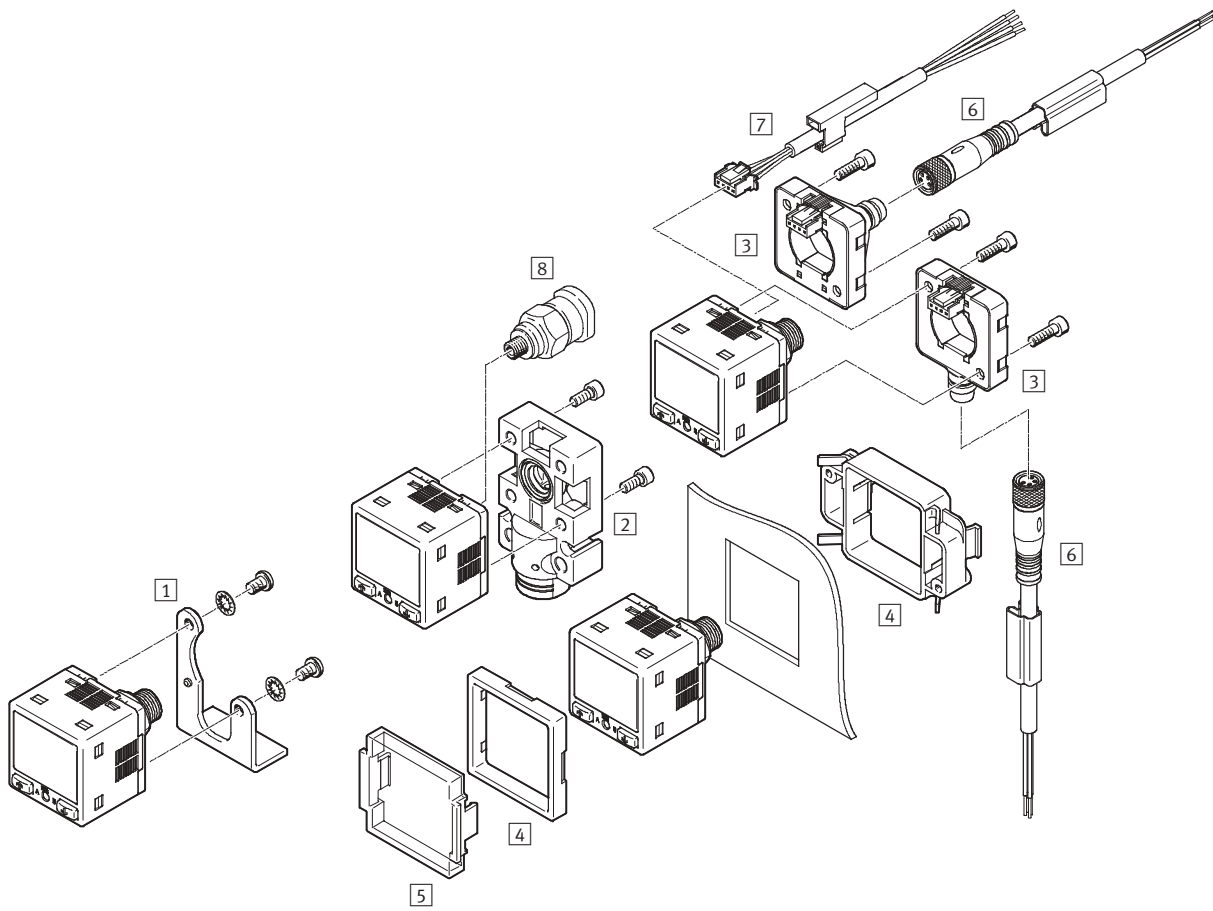
## Product range overview

Measurement method	Measured variable	Pressure measuring range [bar]	Switching function	Pneumatic connection		Electrical output	
				Male thread	Female thread	Digital	Analogue
Piezoresistive pressure sensor with display	1x relative pressure	-1 ... +1 or 0 ... 10	Freely programmable	G $\frac{1}{8}$ , R $\frac{1}{8}$ or NPT $\frac{1}{8}$ -27	M5	1x PNP	1 ... 5 V
						2x PNP	-
						1x NPN	1 ... 5 V
						2x NPN	-

# Pressure sensors SPAB, with display

Peripherals overview

**FESTO**

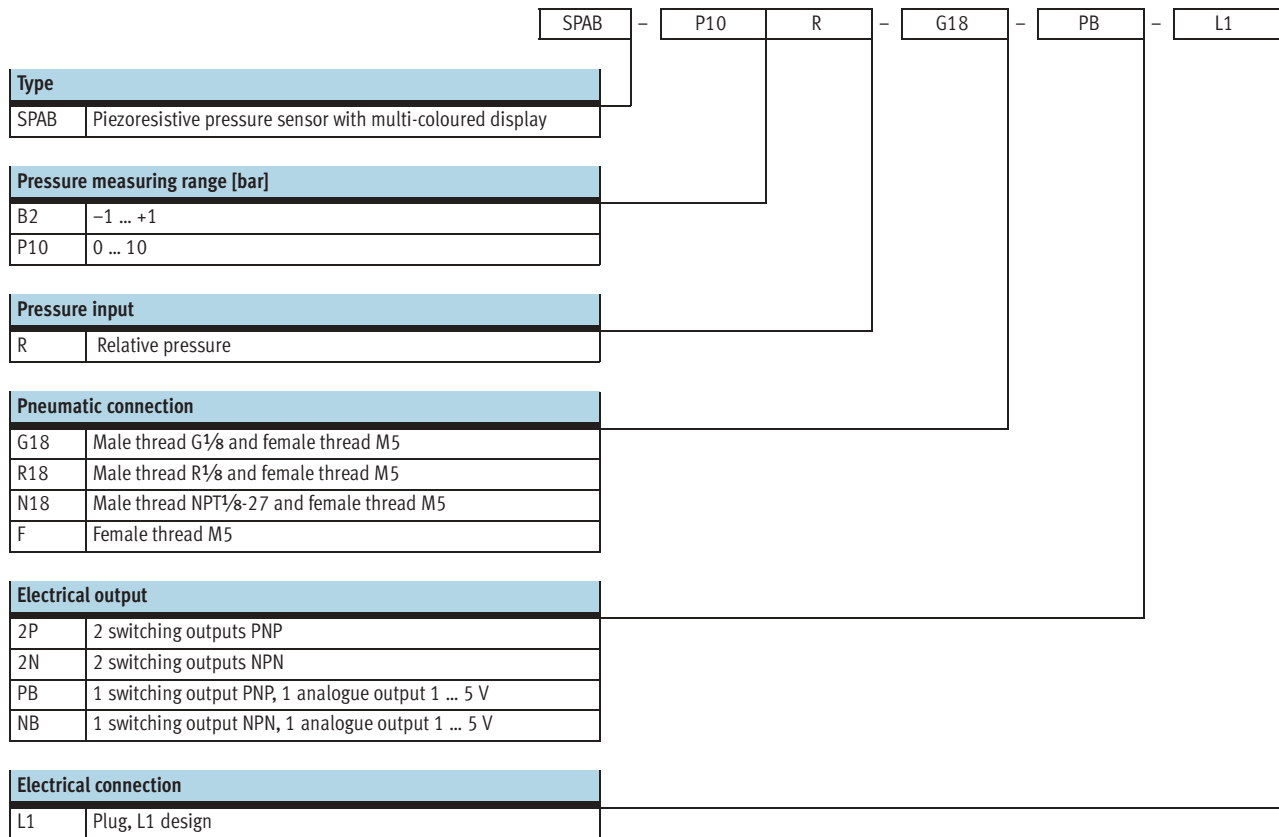


Accessories	→ Page/ Internet
1 Mounting bracket SAMH-...-A	10
2 Adapter plate SASF for pressure sensor SPAB-...-F	12
3 Electric adapter SASC-...-A	11
4 Front panel installation kit SAMH-...-F	10

Accessories	→ Page/ Internet
5 Protective cover SACC	10
6 Connecting cable NEBU-M8	13
7 Connecting cable NEBS-L1 G4	13
8 Push-in fitting QSM-M5	13

# Pressure sensors SPAB, with display

Type codes

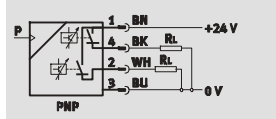


# Pressure sensors SPAB, with display

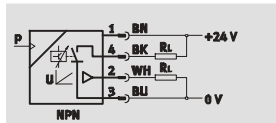
Technical data

Function

E.g. switching output 2x PNP



E.g. switching output NPN, analogue output



Voltage  
12 ... 24 V DC

Pressure  
-1 ... +10 bar

Temperature range  
-10 ... +50 °C



General technical data		
SPAB	-B2	-P10
General information		
Certification	c UL us - Recognized (OL) C-Tick	
CE mark (see declaration of conformity)	To EU EMC Directive <sup>1)</sup>	
Note on materials	Contains PWIS (paint wetting impairment substances) RoHS-compliant	
Input signal/measuring element		
Measured variable	Relative pressure	
Measurement method	Piezoresistive pressure sensor with display	
Pressure measuring range [bar]	-1 ... +1	0 ... 10
Overload capacity [bar]	5	15
Operating medium	Compressed air in accordance with ISO 8573-1:2010 [7:4:4]	
Note on operating/pilot medium	Operation with lubricated medium not possible	
Ambient temperature [°C]	-10 ... +50	

1) For information about the applicability of the component see the manufacturer's EC declaration of conformity at: [www.festo.com](http://www.festo.com) → Support → User documentation.  
If the component is subject to restrictions on usage in residential, office or commercial environments or small businesses, further measures to reduce the emitted interference may be necessary.

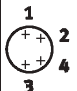
Electrical data								
SPAB	-B2				-P10			
Electrical output	2P	2N	PB	NB	2P	2N	PB	NB
Switching output <sup>1)</sup>								
Switching output	2x PNP	2x NPN	PNP	NPN	2x PNP	2x NPN	PNP	NPN
Switching function	Freely programmable							
Switching element function	Switchable							
Accuracy of FS display [%]	1				2			
Reproducibility of switching value [%]	0.1				0.2			
Max. output current [mA]	100							
Analogue output <sup>1)</sup>								
Analogue output [V]	-		1 ... 5		-		1 ... 5	
Accuracy of analogue output zero point ±FS [%]	-		5		-		5	
Accuracy of analogue output margin ±FS [%]	-		5		-		5	
Reproducibility of analogue value [%]	-		0.2		-		0.2	
Output, additional data								
Protection against short circuit	Yes							

1) % FS = % of the measuring range final value (full scale)

# Pressure sensors SPAB, with display

Technical data

Electrical data								
SPAB	-B2				-P10			
Electrical output	2P	2N	PB	NB	2P	2N	PB	NB
Electronic components								
Operating voltage range DC	[V]	12 ... 24						
Reverse polarity protection	For operating voltage							
Electromechanical components								
Electrical connection	Plug M8x1, 4-pin, round design to EN 60 947-5-2							
	Plug, 4-pin, square design							
	Cable, 4-wire, 2.5 m							

Pin allocation to EN 60947-5-2			
Plug, 4-pin			
M8x1	Pin	Wire colour	Allocation
	1	Brown	Operating voltage +24 V DC
	3	Blue	0 V
	4	Black	Switching output (Out A)
	2	White	Switching output (Out B)/analogue output

Mechanical components				
SPAB	-G18	-R18	-N18	-F
Type of mounting	Screw-in			On adapter plate
	Via accessories			-
Pneumatic connection	Female thread M5			
	Male thread G1/8	Male thread R1/8	Male thread NPT1/8-27	-
Product weight	[g]	45		30
Housing materials	ABS, reinforced			
	PBT, reinforced			

Display/operation		
SPAB	-B2	-P10
Display type	Illuminated LCD, multi-coloured	
Displayable units	bar	bar
	inchH <sub>2</sub> O	-
	inchHg	-
	kPa	kPa
	psi	psi
	mmHg	-
	kgf/cm <sup>2</sup>	kgf/cm <sup>2</sup>
	-	MPa
Switching status display	Yellow LCD	
Setting options	Teach-in	
	Via display and keys	
Tamper protection	PIN code	
Threshold value setting range	[%]	0 ... 100
Hysteresis setting range	[%]	0 ... 90

Immissions/emissions	
Protection class	IP40
Corrosion resistance class CRC <sup>1)</sup>	2

1) Corrosion resistance class 2 according to Festo standard 940 070  
 Components subject to moderate corrosion stress. Externally visible parts with primarily decorative surface requirements which are in direct contact with a normal industrial environment or media such as coolants or lubricating agents.

# Pressure sensors SPAB, with display

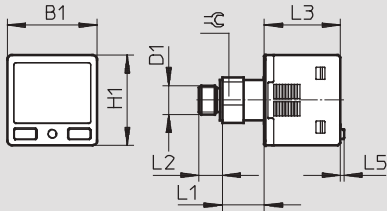
Technical data

**FESTO**

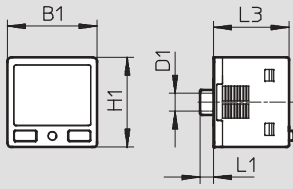
## Dimensions

Download CAD data → [www.festo.com](http://www.festo.com)

SPAB-...-L1



SPAB-...-F-...-L1



Type	B1	D1	D2	H1	H2	H3	L1	L2	L3	L4	L5	≡
SPAB-...-G18-...-L1	30	G1/8	-	30	-	-	15	7	~25	-	1	14
SPAB-...-R18-...-L1	30	R1/8	-	30	-	-	14	9.5	~25	-	1	12
SPAB-...-N18-...-L1	30	NPT1/8	-	30	-	-	14	9.5	~25	-	1	12
SPAB-...-F-...-L1	30	M5	-	30	-	-	4.4	-	~25	-	-	-



# Pressure sensors SPAB, with display

Technical data

Ordering data				
Pressure measuring range [bar]	Electrical output		Electrical connection	
			Plug, square design L1	
	Digital	Analogue	Part No.	Type
<b>Male thread G<math>\frac{1}{8}</math></b>				
-1 ... +1	1x PNP	1 ... 5 V	8000051	SPAB-B2R-G18-PB-L1
	2x PNP	-	8000045	SPAB-B2R-G18-2P-L1
	1x NPN	1 ... 5 V	8000054	SPAB-B2R-G18-NB-L1
	2x NPN	-	8000048	SPAB-B2R-G18-2N-L1
0 ... 10	1x PNP	1 ... 5 V	8000063	SPAB-P10R-G18-PB-L1
	2x PNP	-	8000057	SPAB-P10R-G18-2P-L1
	1x NPN	1 ... 5 V	8000066	SPAB-P10R-G18-NB-L1
	2x NPN	-	8000060	SPAB-P10R-G18-2N-L1
<b>Male thread R<math>\frac{1}{8}</math></b>				
-1 ... +1	1x PNP	1 ... 5 V	8000052	SPAB-B2R-R18-PB-L1
	2x PNP	-	8000046	SPAB-B2R-R18-2P-L1
	1x NPN	1 ... 5 V	8000055	SPAB-B2R-R18-NB-L1
	2x NPN	-	8000049	SPAB-B2R-R18-2N-L1
0 ... 10	1x PNP	1 ... 5 V	8000064	SPAB-P10R-R18-PB-L1
	2x PNP	-	8000058	SPAB-P10R-R18-2P-L1
	1x NPN	1 ... 5 V	8000067	SPAB-P10R-R18-NB-L1
	2x NPN	-	8000061	SPAB-P10R-R18-2N-L1
<b>Male thread NPT<math>\frac{1}{8}</math>-27</b>				
-1 ... +1	1x PNP	1 ... 5 V	8000053	SPAB-B2R-N18-PB-L1
	2x PNP	-	8000047	SPAB-B2R-N18-2P-L1
	1x NPN	1 ... 5 V	8000056	SPAB-B2R-N18-NB-L1
	2x NPN	-	8000050	SPAB-B2R-N18-2N-L1
0 ... 10	1x PNP	1 ... 5 V	8000065	SPAB-P10R-N18-PB-L1
	2x PNP	-	8000059	SPAB-P10R-N18-2P-L1
	1x NPN	1 ... 5 V	8000068	SPAB-P10R-N18-NB-L1
	2x NPN	-	8000062	SPAB-P10R-N18-2N-L1
<b>Female thread M5</b>				
-1 ... +1	1x PNP	1 ... 5 V	8000071	SPAB-B2R-F-PB-L1
	2x PNP	-	8000069	SPAB-B2R-F-2P-L1
	1x NPN	1 ... 5 V	8000072	SPAB-B2R-F-NB-L1
	2x NPN	-	8000070	SPAB-B2R-F-2N-L1
0 ... 10	1x PNP	1 ... 5 V	8000075	SPAB-P10R-F-PB-L1
	2x PNP	-	8000073	SPAB-P10R-F-2P-L1
	1x NPN	1 ... 5 V	8000076	SPAB-P10R-F-NB-L1
	2x NPN	-	8000074	SPAB-P10R-F-2N-L1

# Pressure sensors SPAB, with display

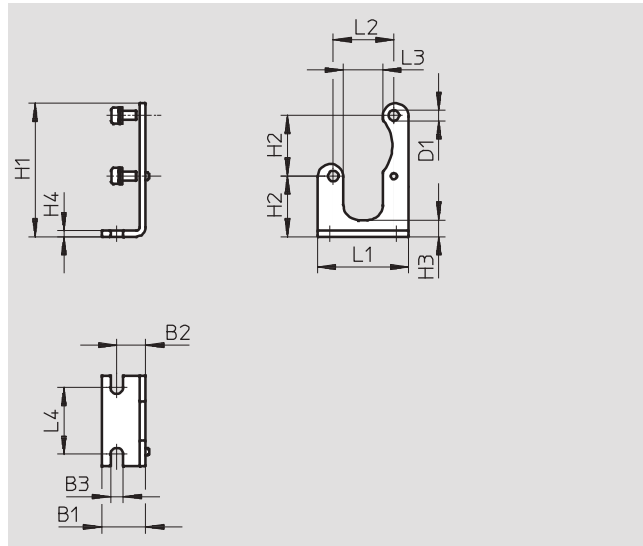
Accessories



## Mounting bracket SAMH

Material:  
Galvanised chromated steel

Note on materials:  
RoHS-compliant

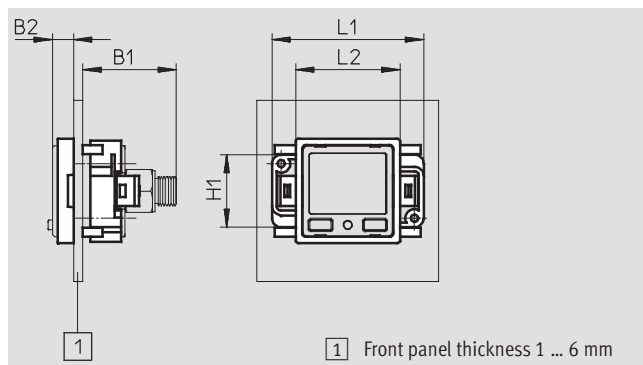


Dimensions and ordering data													Part No.	Type
B1	B2	B3	D1 Ø	H1	H2	H3	H4	L1	L2	L3	L4			
14.5	9.5	4.2	3.5	~44	20	5.5	2	30	20	13	22	552376	SAMH-P4-A	

## Front panel installation kit SAMH

Materials:  
PC, POM

Note on materials:  
RoHS-compliant

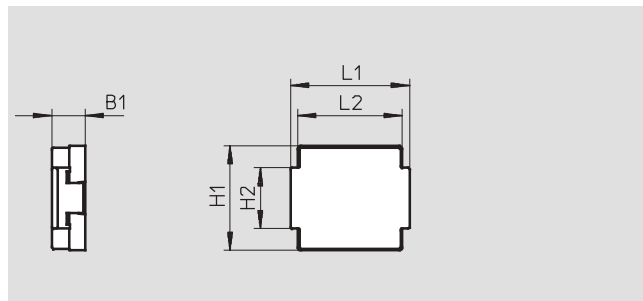
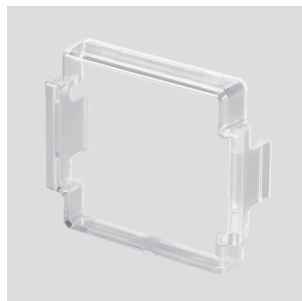


Ordering data							Part No.	Type
B1	B2	H1	L1	L2				
~31	7	24	50	34.5	552377	SAMH-P4-F		

## Protective cover SACC

Material:  
PC

Note on materials:  
RoHS-compliant



Dimensions and ordering data							Part No.	Type
B1	H1	H2	L1	L2				
~28	34.5	20	39.3	34.5	552378	SACC-P4-G		

# Pressure sensors SPAB, with display

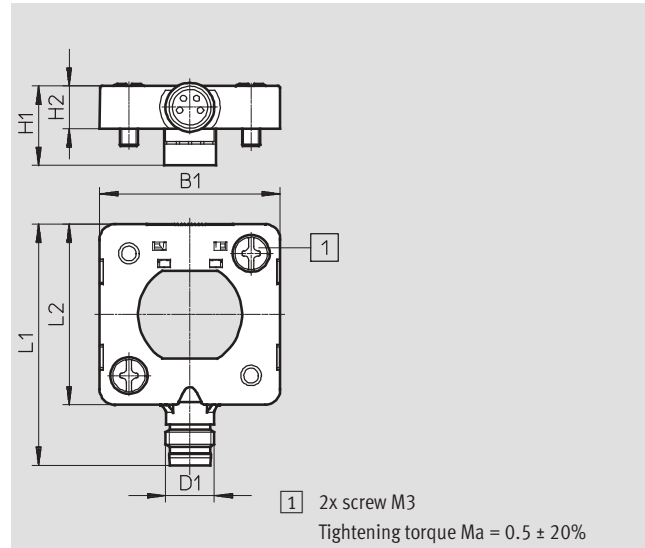
Accessories



## Electric adapter SASC

Material:  
Housing: PA-reinforced  
Plug housing: Nickel plated brass

Note on materials:  
RoHS-compliant



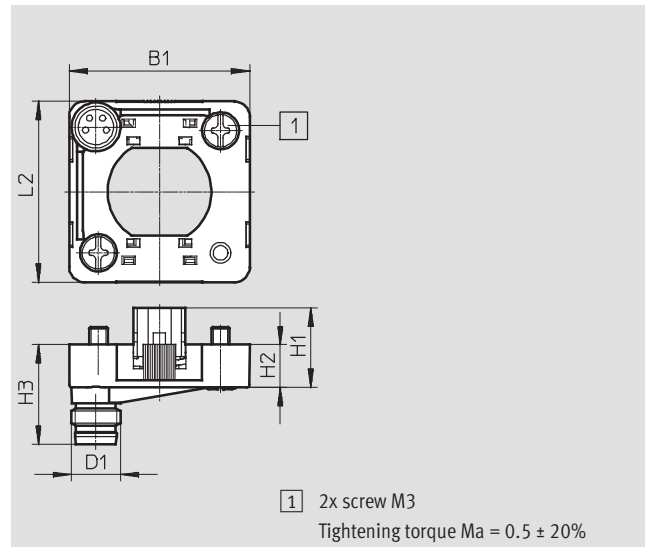
Dimensions and ordering data							
B1	D1	H1	H2	L1	L2	CRC <sup>1)</sup>	Part No. Type
29.6	M8x1	13	7	39.5	29.6	2	8000326 SASC-P4-A-M8-A

1) Corrosion resistance class 2 according to Festo standard 940 070  
Components subject to moderate corrosion stress. Externally visible parts with primarily decorative surface requirements which are in direct contact with a normal industrial environment or media such as coolants or lubricating agents.

## Electric adapter SASC

Material:  
Housing: PA-reinforced  
Plug housing: Nickel plated brass

Note on materials:  
RoHS-compliant



Dimensions and ordering data							
B1	D1	H1	H2	H3	L2	CRC <sup>1)</sup>	Part No. Type
29.6	M8x1	13	7	16.3	29.6	2	8000327 SASC-P4-A-M8-S

1) Corrosion resistance class 2 according to Festo standard 940 070  
Components subject to moderate corrosion stress. Externally visible parts with primarily decorative surface requirements which are in direct contact with a normal industrial environment or media such as coolants or lubricating agents.

# Pressure sensors SPAB, with display

Accessories



## Adapter plate SASF

for pressure sensor SPAB-...-F

Materials:

PBT-reinforced

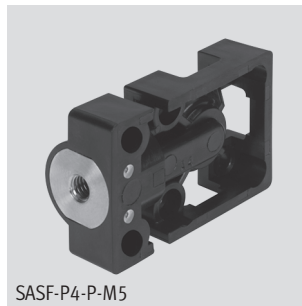
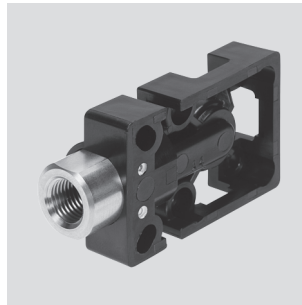
High-alloy stainless steel

HNBR

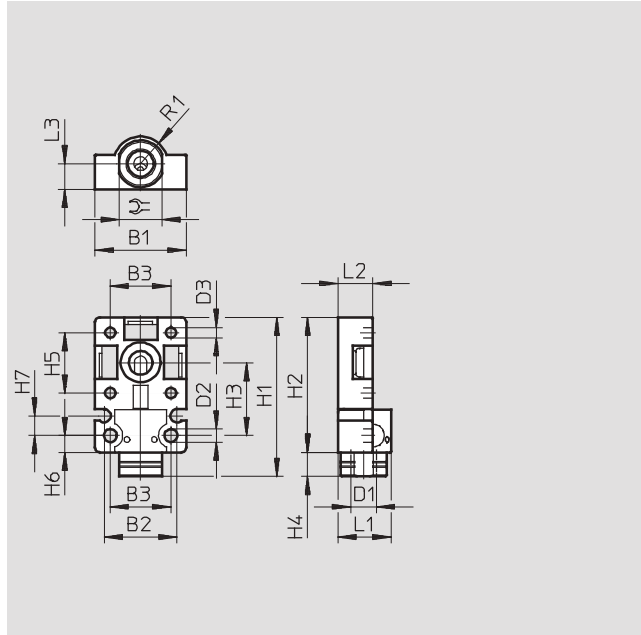
Note on materials:

Contains PWIS (paint wetting impairment substances)

RoHS-compliant



SASF-P4-P-M5



Note  
 To differentiate the adapter plates R $\frac{1}{8}$ , G $\frac{1}{8}$  and NPT $\frac{1}{8}$ , they are identified as follows at the pneumatic connection:  
 - R $\frac{1}{8}$  No line  
 - NPT $\frac{1}{8}$  One line  
 - G $\frac{1}{8}$  Two lines




Dimensions and ordering data																			
B1	B2	B3	D1	D2	D3	H1	H2	H3	H4	H5	H6	H7	L1	L2	L3	R1	≡	Part No.	Type
30	24	20	R $\frac{1}{8}$	4.3	3.4	52.5	44.5	24	8	20	5.5	6.5	17.5	11.5	8.5	9	14	570801	SASF-P4-P-R18
			G $\frac{1}{8}$															570802	SASF-P4-P-G18
			NPT $\frac{1}{8}$															570803	SASF-P4-P-N18
30	24	20	M5	4.3	3.4	-	44.5	24	-	20	5.5	6.5	17.5	11.5	8.5	9	-	570804	SASF-P4-P-M5


1) Corrosion resistance class 2 according to Festo standard 940 070  
 Components subject to moderate corrosion stress. Externally visible parts with primarily decorative surface requirements which are in direct contact with a normal industrial environment or media such as coolants or lubricating agents.

# Pressure sensors SPAB, with display

Accessories



Ordering data – Connecting cables				Technical data → Internet: nebu	
	Designation	Number of wires	Cable length [m]	Part No.	Type
<b>M8x1</b>					
	Straight socket	4	2.5	541342	NEBU-M8G4-K-2.5-LE4
			5	541343	NEBU-M8G4-K-5-LE4
	Angled socket	4	2.5	541344	NEBU-M8W4-K-2.5-LE4
			5	541345	NEBU-M8W4-K-5-LE4
<b>Circuit board plug connector</b>					
	Socket, rectangular design L1	4	2.5	572576	NEBS-L1G4-K-2.5-LE4
			5	572577	NEBS-L1G4-K-5-LE4

Ordering data – Push-in fittings			Technical data → Internet: quick star	
	Pneumatic connection	For tubing O.D. [mm]	Part No.	Type
	M5	4	153304	QSM-M5-4
		6	153306	QSM-M5-6