

GRYPHON™ | GFS4100



SIMPLE TO INTEGRATE

Designed for easy integration, the Gryphon I GFS4100 reader provides a simple 'plug-and-play' solution for system designers. Constructed using high-impact resin to withstand repeated cleanings with solvents and disinfectant solutions, the sealed enclosure meets industrial standards against water and particulates to provide dependable and reliable scanning performance.

ADVANCED IMAGING TECHNOLOGY

The Gryphon I GFS4100 OEM module shares the same excellent reading characteristics found in the premium line of Gryphon™ 4100 series of handheld devices. Featuring outstanding near-field reading, a wide angle field-of-view, improved motion tolerance and snappy reading, it also offers integrators excellent performance on decoding poor or damaged codes. As with all Gryphon readers, the GFS4100 reader offers users additional good-read visual confirmation with Datalogic's patented 'Green Spot' technology.

CONTINUOUS SCANNING CAPABILITY

The Gryphon I GFS4100 reader supports several modes that can be used as a trigger. The module has the ability to automatically sense objects and trigger itself. A continuous scan mode transmits data whenever a bar code passes into its field of view. The reader can be triggered remotely using input from programmable logic controller (PLC) or sensor.

FEATURES

- High-speed imaging for fast moving codes
- Read rate: 320 reads/second
- Excellent near-field reading at the scan window
- Supports all common linear (1D) bar codes including GS1 DataBar™
- Reads high resolution bar codes up to 3 mils
- Datalogic's patented Green Spot for good-read feedback
- Integrated good-read beeper
- Automatic sensing or manual trigger options available
- Integrated interface cable
- High-impact resin creates a solvent-tolerant enclosure
- Water and Particulate Sealing Rating: IP54
- EASEOFCARE Service Plans offer a wide range of service options to protect your investment, ensuring maximum productivity and ROI

INDUSTRY-APPLICATIONS

- OEM Applications:
 - Service Kiosks
 - Price Verifiers
 - Ticket Readers
 - Document Handling
 - Medical Laboratories
 - Vending Machines
 - Additional Automated Equipment



GRYPHON™ | GFS4100

TECHNICAL SPECIFICATIONS

DECODING CAPABILITY

1D / Linear Codes	Autodiscriminates all standard 1D codes including GS1 DataBar™ linear codes.
--------------------------	--

ELECTRICAL

Current	Operating (Typical): 390 mA Standby/Idle (Typical): GFS4170: < 2.5 mA
Input Voltage	5 VDC +/- 5%

ENVIRONMENTAL

Ambient Light	0 - 100,000 lux
Drop Resistance	Withstands repeated drops from 0.76 m / 2.50 ft onto a concrete surface
ESD Protection (Air Discharge)	16 kV
Humidity (Non-Condensing)	95%
Particulate and Water Sealing	IP54
Temperature	Operating: 0 to 50 °C / 32 to 122 °F Storage/Transport: -25 to 50 °C / -13 to 122 °F

INTERFACES

Interfaces	RS-232; USB
-------------------	-------------

PHYSICAL CHARACTERISTICS

Colors Available	Grey; Other colors and custom logo options are available for minimum quantity purchase.
Dimensions	3.9 x 5.7 x 5.8 cm / 1.5 x 2.2 x 2.3 in
Weight	170 g / 6 oz (including a 2 m / 6.6 ft RS-232 cable)

READING PERFORMANCE

Imager Sensor	CCD Solid State
Light Source	Illumination: Dual LED Array 630 - 670 nm
Print Contrast Ratio (Minimum)	15%
Read Rate (Maximum)	320 reads/sec.
Reading Angle	Pitch: +/- 65°; Roll (Tilt): +/- 35°; Skew (Yaw): +/- 65°
Reading Indicators	Beeper; Datalogic 'Green Spot' Good Read Feedback; Good Read LED
Resolution (Maximum)	0.076 mm / 3 mils

READING RANGES

Typical Depth of Field	Minimum distance determined by symbol length and scan angle. Printing resolution, contrast, and ambient light dependent. 5 mils: 5.0 to 16.0 cm / 2.0 to 6.3 in 8 mils: 3.0 to 27.0 cm / 1.2 to 10.6 in 10 mils: 1.5 to 30.0 cm / 0.6 to 11.8 in 13 mils: 3.0 to 40.0 cm / 1.2 to 15.7 in 20 mils: up to 60.0 cm / up to 23.6 in
-------------------------------	--

SAFETY & REGULATORY

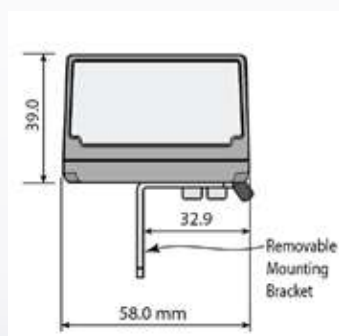
Agency Approvals	The product meets necessary safety and regulatory approvals for its intended use. The Quick Reference Guide for this product can be referred to for a complete list of certifications.
Environmental Compliance	Complies to China RoHS; Complies to EU RoHS
LED Classification	IEC 60825-1 Class 1 LED Product

UTILITIES

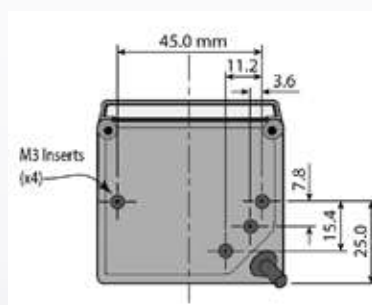
Datalogic Aladdin™	Datalogic Aladdin configuration program is available for download at no charge.
OPOS / JavaPOS	JavaPOS Utilities are available for download at no charge. OPOS Utilities are available for download at no charge.
Remote Host Download	Lowers service costs and improves operations.

WARRANTY

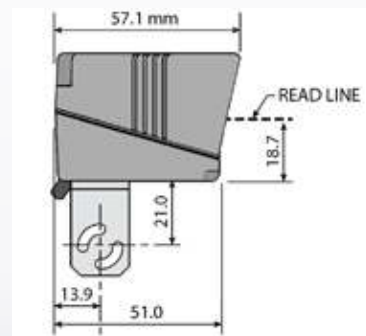
Warranty	3-Year Factory Warranty
-----------------	-------------------------



FRONT VIEW



HOLE TOLERANCE: +/- 0.1 MM
BOTTOM VIEW



RIGHT SIDE VIEW