

IG5567

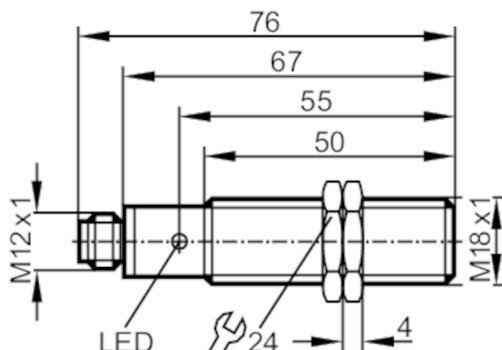


Inductive sensor

IGA3005-BPOG/US-100-DPS

Status Archive

IG5568



Electrical data

Operating voltage	[V]	10...30 DC
Current consumption	[mA]	5; (24 V)
Protection class		II
Reverse polarity protection		no

Outputs

Electrical design		PNP
Output function		normally open
Max. voltage drop switching output DC	[V]	2.5
Permanent current rating of switching output DC	[mA]	200
Switching frequency DC	[Hz]	500
Short-circuit protection		no
Overload protection		no

Detection zone

Sensing range	[mm]	5
Real sensing range S_r	[mm]	$5 \pm 10\%$
Operating distance	[mm]	0...4.05

Accuracy / deviations

Correction factor		steel: 1 / stainless steel: 0.7 / brass: 0.4 / aluminium: 0.3 / copper: 0.3
Hysteresis	[% of S_r]	1...15
Switch point drift	[% of S_r]	-10...10

Operating conditions

Ambient temperature	[°C]	-25...80
Protection		IP 65

Tests / approvals

EMC	EN 60947-5-2	class B
	EN 55011	

IG5567



Inductive sensor

IGA3005-BPOG/US-100-DPS

Mechanical data	
Housing	threaded type
Mounting	flush mountable
Dimensions [mm]	M18 x 1 / L = 76
Thread designation	M18 x 1
Materials	brass nickel-plated; PBT

Displays / operating elements		
Display	switching status	1 x LED, yellow

Accessories	
Accessories (supplied)	lock nuts: 2

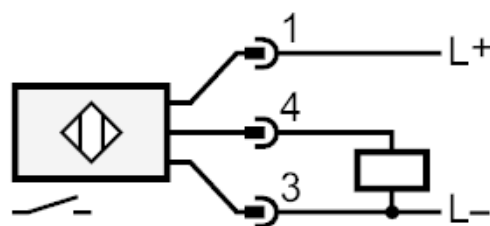
Remarks	
Pack quantity	1 pcs.

Electrical connection - plug

Connector: 1 x M12



Connection



Status Archive

IG5568