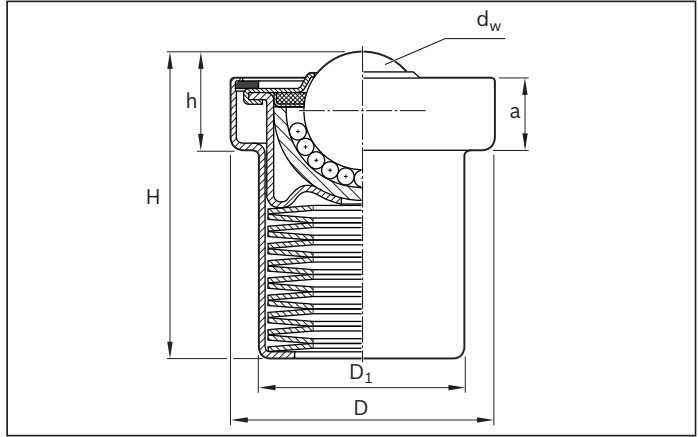
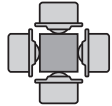


## Ball Transfer Units, spring-loaded R0532 1.., R0532 2..



Version Spring-loaded. Ball Transfer Units are supported on springs and mounted under preload in a housing. Ball Transfer Unit recedes into its housing under high loads.	Size	Part number	 Preload (N)   Ultimate load <sup>1)</sup> (N)		Tolerance for preload and ultimate load (%)	Dimensions (mm)						Weight (kg)
			d <sub>w</sub>	D		D <sub>1</sub>	h	H	a			
R0532 1.. KUF-B..-TF-MFG Cover and housing galvanized. With cup springs. Balls made from antifriction bearing steel 1.3505. With felt seal.	22	R0532 122 10	730	860	+25 / -7.5	22.225	50 ± 0.100	38.8	18.6	58.1	13.6	0.30
	30	R0532 130 10	1 350	1 600	+15 / -7.5	30.162	62 ± 0.125	48.2	24.4	70.0	17.0	0.57
	45	R0532 145 10	2 280	2 770	+15 / -7.5	44.450	85 ± 0.150	66.2	35.6	100.5	24.2	1.60
R0532 1.. KUF-B..-SF-MFG Cover and housing galvanized. With helical spring. Balls made from antifriction bearing steel 1.3505. With felt seal.	22	R0532 123 10	170	250	+15 / -7.5	22.225	50 ± 0.100	38.8	18.6	58.1	13.6	0.24
	22	R0532 125 10	116.6	195	+27.1 / -27.1	22.225	50 ± 0.100	38.8	18.6	58.1	13.6	0.24
R0532 2 KUF-C..-TF-MFG All parts galvanized. With cup springs. Balls made from corrosion-resistant steel 1.3541 / 1.4034. With felt seal.	22	R0532 222 10	730	860	+25 / -7.5	22.225	50 ± 0.100	38.8	18.6	58.1	13.6	0.30
	30	R0532 230 10	1 350	1 600	+15 / -7.5	30.162	62 ± 0.125	48.2	24.4	70.0	17.0	0.57
	45	R0532 245 10	2 280	2 770	+15 / -7.5	44.450	85 ± 0.150	66.2	35.6	100.5	24.2	1.60

<sup>1)</sup> Under ultimate load the Ball Transfer Unit recedes completely.

**Explanation of short product name**

(Example: R0532 145 10 KUF-B45-TF-MFG)

KUF	B	45	TF	MFG
Ball Transfer Unit, spring-loaded	Cover and housing galvanized, balls made from antifriction bearing steel	Size	Cup spring	With felt seal, oiled