

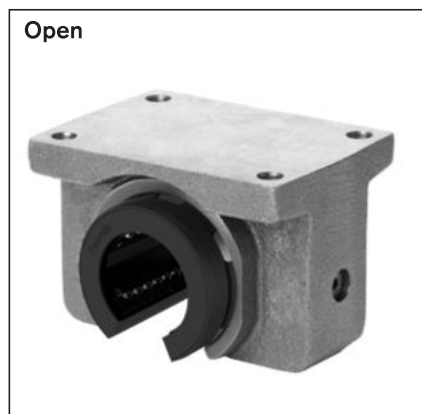
Linear sets with super linear bushings  or 



Linear sets, R1067 Open

Linear sets, R1068 Open, adjustable



Design

- Precision housing (spheroidal graphite cast iron/steel)
- Secured with locating screw
- Super linear bushing with or without misalignment compensation
- Integrated wiper seals



Shaft Ø d (mm)	Material number		Weight (kg)
	Super linear bushing  Integrated wiper seals LSGO-A- ... -DD	Super linear bushing  Integrated wiper seals LSGO-B- ... -DD	
12	R1067 612 40	R1067 812 40	0.13
16	R1067 616 40	R1067 816 40	0.20
20	R1067 620 40	R1067 820 40	0.36
25	R1067 625 40	R1067 825 40	0.70
30	R1067 630 40	R1067 830 40	1.05
40	R1067 640 40	R1067 840 40	2.05
50	R1067 650 40	R1067 850 40	2.77



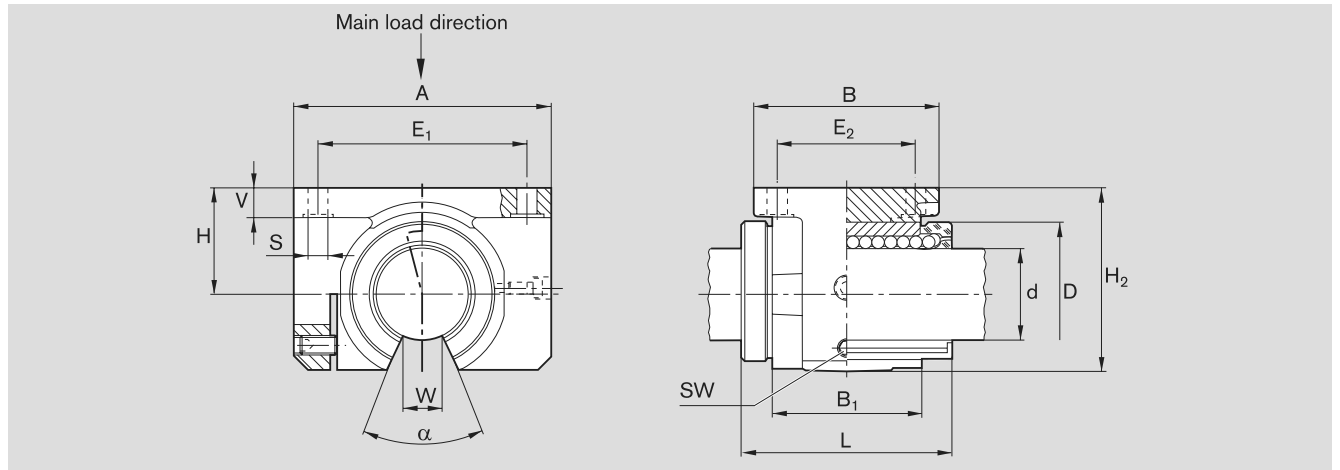
Shaft Ø d (mm)	Material number		Weight (kg)
	Super linear bushing  Integrated wiper seals LSGOE-A- ... -DD	Super linear bushing  Integrated wiper seals LSGOE-B- ... -DD	
12	R1068 612 40	R1068 812 40	0.12
16	R1068 616 40	R1068 816 40	0.20
20	R1068 620 40	R1068 820 40	0.36
25	R1068 625 40	R1068 825 40	0.69
30	R1068 630 40	R1068 830 40	1.02
40	R1068 640 40	R1068 840 40	2.02
50	R1068 650 40	R1068 850 40	2.71

Explanation of sample short product name

LS	G	O	A	20	DD
Linear set	Cast iron	Open	Super 	Ø 20	Two seals

See page 39 for more information on short product names.

Dimensions



Dimensions (mm)													
Ø d	D	H	H ₂ ¹⁾	L	A ¹⁾	B ¹⁾	B ₁	E ₁	E ₂	S	V ¹⁾	W ²⁾	SW
12	22	18	28	32	42	32	20	32±0.15	23±0.15	4.5	5.5	6.5	2.5
16	26	22	35	36	50	35	22	40±0.15	26±0.15	4.5	6.5	9.0	2.5
20	32	25	42	45	60	42	28	45±0.15	32±0.15	4.5	8.0	9.0	2.5
25	40	30	51	58	74	54	40	60±0.15	40±0.15	5.5	9.0	11.5	3.0
30	47	35	60	68	84	60	48	68±0.20	45±0.20	6.6	10.0	14.0	3.0
40	62	45	77	80	108	78	56	86±0.20	58±0.20	9.0	12.0	19.5	4.0
50	75	50	88	100	130	70	72	108±0.20	50±0.20	9.0	14.0	22.5	5.0

Ø d (mm)	Angle α (°)	Radial clearance (µm)		Tolerance for H ³⁾ (µm)	Load ratings ⁴⁾ (N)	
		R1067 h6 shaft	R1068		dyn. C	stat. C ₀
12	66	+28	Comes clamped to h5 shaft (lower limit) and set to zero clearance	+8	1,060	510
		-1		-16		
16	68	+28		+8	1,280	630
		-1		-16		
20	55	+31		+8	2,570	1,180
		-2		-16		
25	57	+31		+8	5,040	2,470
		-2		-16		
30	57	+31	+8	5,020	2,880	
		-2	-16			
40	56	+35	+8	8,620	4,480	
		-3	-16			
50	54	+35	+13	12,500	6,620	
		-3	-21			

- 1) ISO 8062-3 - DCTG 9 tolerance.
- 2) Minimum size in relation to Ø d.
- 3) Clamped (fastened) in relation to Ø d.
- 4) The load ratings apply for the main load direction.

The dynamic load ratings are based on a total travel of 100,000 m.
When based on 50,000 m, the C values in the table are multiplied by 1.26.

⚠ Refer to the diagrams on page 41 for load in the direction of opening.