


Linear sets with super linear bushings , tandem

Linear sets, R1083 Flanged


Design

- Precision lightweight flanged housing (aluminum)
- Two super linear bushings 
- Two top wiper seals
- Centering collar
- Thread for bolting from bottom area
- Relubricatable
- Radial clearance not adjustable



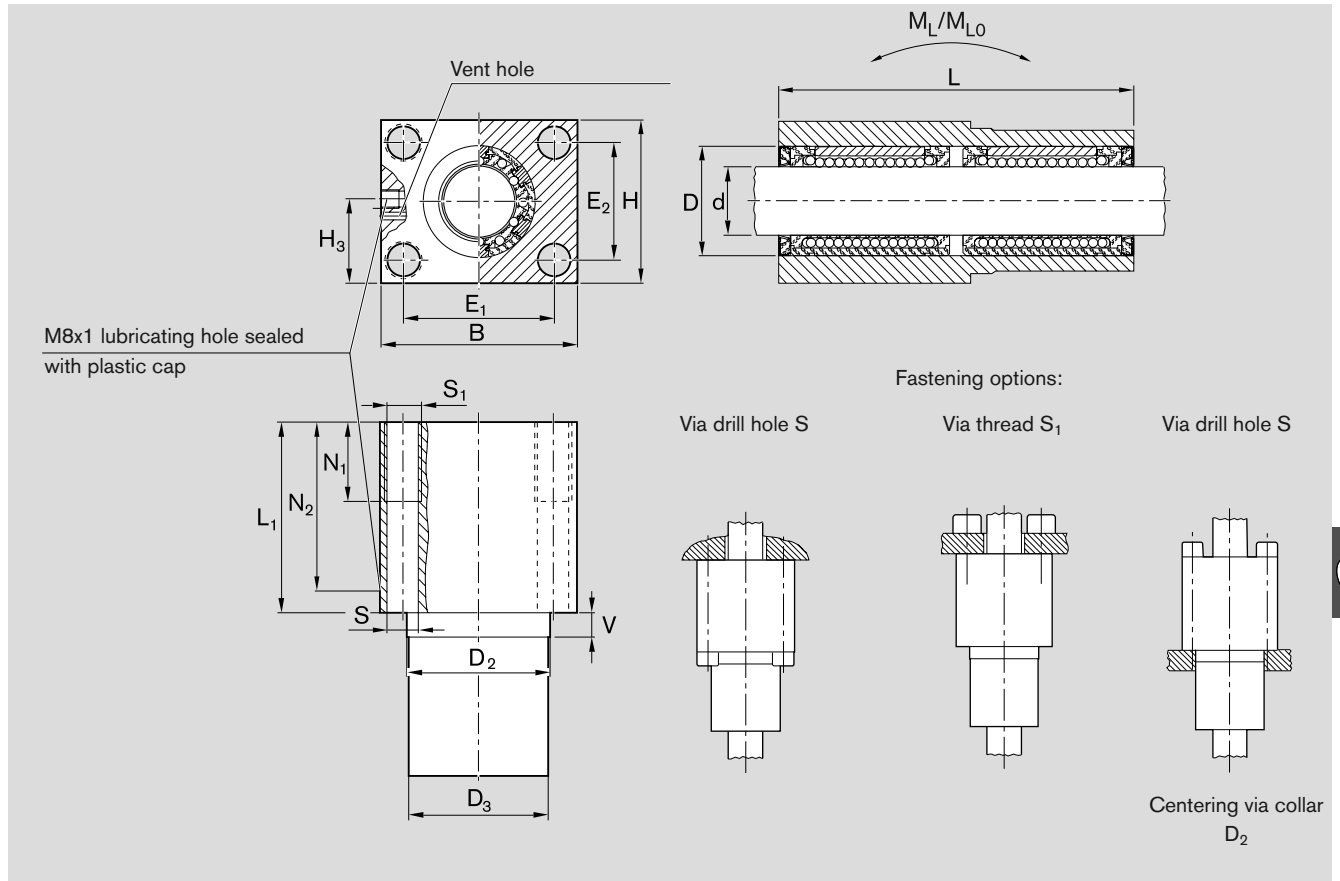
Shaft Ø d (mm)	Material number LSAFT-A- ... -DD	Weight (kg)
12	R1083 612 20	0.20
16	R1083 616 20	0.32
20	R1083 620 20	0.55
25	R1083 625 20	1.00
30	R1083 630 20	1.50

Explanation of sample short product name

LS	A	FT	A	20	DD
Linear set	Aluminum	Flanged, tandem	Super 	Ø 20	Two seals

See page 39 for more information on short product names.

Dimensions



Dimensions (mm)																
$\text{Ø } d$	D	$D_2^{1)}$	D_3	H	H_3	B	L	L_1	E_1	E_2	$S^{2)}$	S_1	N_1	N_2	V	
		$g7$	-0.1 -0.3						± 0.15	± 0.15						
12	22	30	30	34	19	42	76	46	32	24	5.3	M6	13	36	10	
16	26	35	35	40	22	50	84	50	38	28	6.6	M8	18	40	10	
20	32	42	42	50	27	60	104	60	45	35	8.4	M10	22	50	10	
25	40	52	52	60	32	74	130	73	56	42	10.5	M12	26	63	10	
30	47	61	61	70	37	84	152	82	64	50	13.5	M16	34	74	10	

Shaft $\text{Ø } d$ (mm)	Radial clearance (μm) h6 shaft	Load ratings ³⁾ (N)		Linear torque (Nm)	
		dyn. C	stat. C_0	dyn. M_L	stat. M_{L0}
12	+38 +10	1,350	840	26	16
16	+38 +10	1,660	1,060	35	22
20	+43 +11	3,280	2,100	84	54
25	+43 +11	6,420	4,360	205	140
30	+43 +11	7,800	5,580	289	206

- 1) Recommended installation: Mounting hole D_2^{H7} .
- 2) ISO 4762-8.8 fastening bolts.
- 3) Load rating when both linear bushings are under equal load.

Note on lubrication:
Only lubricate on shaft and until lubricant comes out of vent hole.

The dynamic load ratings are based on a total travel of 100,000 m.
When based on 50,000 m, the C values in the table are multiplied by 1.26.