

**Type code** 167-DA-040-0350-DM00-0000SCW0000-0000S0S  
**Material number** R480051080

**Description**

|                            |             |                                     |
|----------------------------|-------------|-------------------------------------|
| Series                     | <b>167</b>  | Series 167                          |
| Piston diameter            | <b>040</b>  | Diameter 40                         |
| Stroke                     | <b>0350</b> | Stroke in mm                        |
| Piston rod                 | <b>D</b>    | Single rod                          |
| Trunnion mounting          | <b>M00</b>  | Without trunnion mounting           |
| Position trunnion mounting | <b>0000</b> |                                     |
| Sealings                   | <b>S</b>    | Sealings - standard (-20°C to 75°C) |
| Piston rod material        | <b>C</b>    | Chromium plated, stainless          |
| Rod extension              | <b>W</b>    | Without piston rod extension        |
| Piston rod extension front | <b>0000</b> | Piston rod extension (front) in mm  |
| Piston rod extension back  | <b>0000</b> | Piston rod extension (rear) in mm   |
| Piston rod sealing         | <b>S</b>    | Piston rod sealing - standard       |
| Scraper                    | <b>0</b>    | Standard                            |
| Grease                     | <b>S</b>    | Standard                            |



Type code 167-DA-040-0350-DM00-0000SCW0000-0000S0S  
Material number R480051080



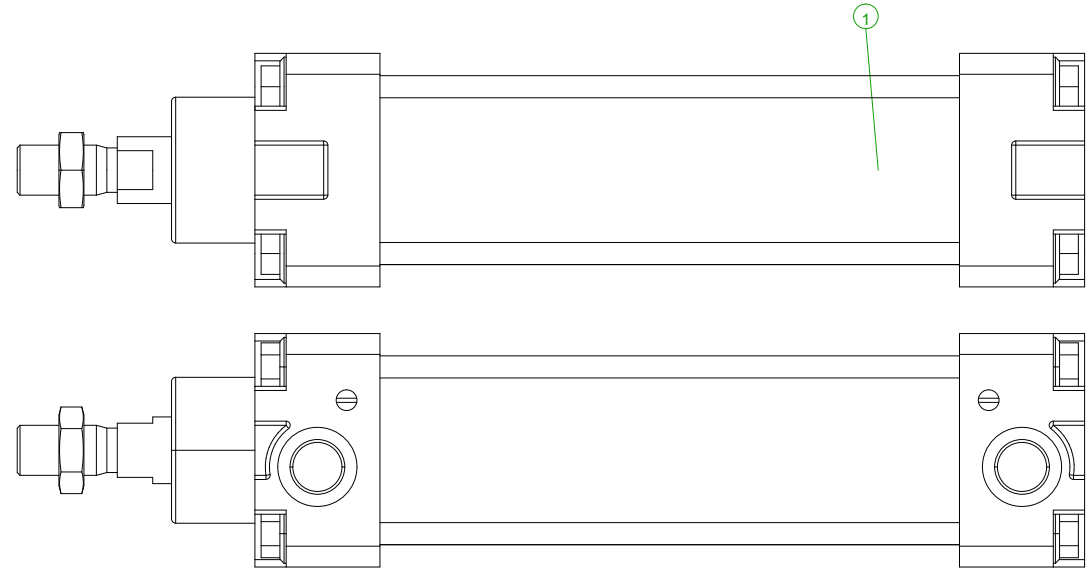
Please click on the image to activate the 3D model.

We are not liable for this 3D model since it has been generated automatically.

© Alle Rechte bei AVENTICS S.p.A., auch für den Fall von Schutzrechtsanmeldungen. Jede Verfügungsbefugnis, wie Kopier- und Weitergaberecht, bei uns.

© This Document, as well as the data, specifications and other informations set forth in it, are the exclusive property of AVENTICS S.p.A.. Without their consent it may not be reproduced or given to third parties.

| Pos. | Quantity | Material number | Designation   | Type code                                |
|------|----------|-----------------|---------------|--|
| 1    | 1        | R480051080      | Base cylinder | 167-DA-040-0350-DM00-0000SCW0000-0000S0S |

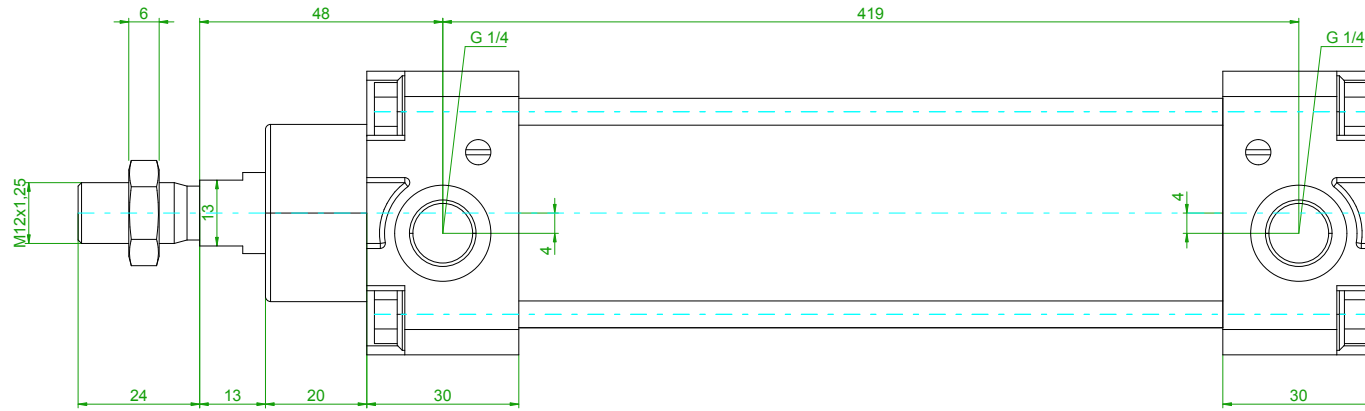
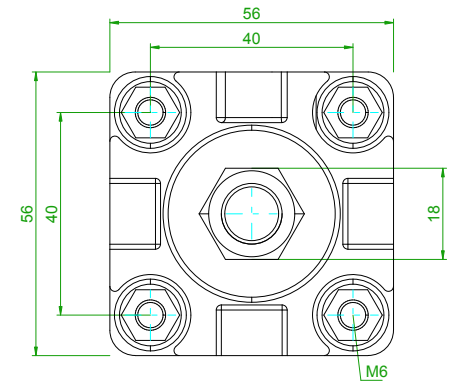
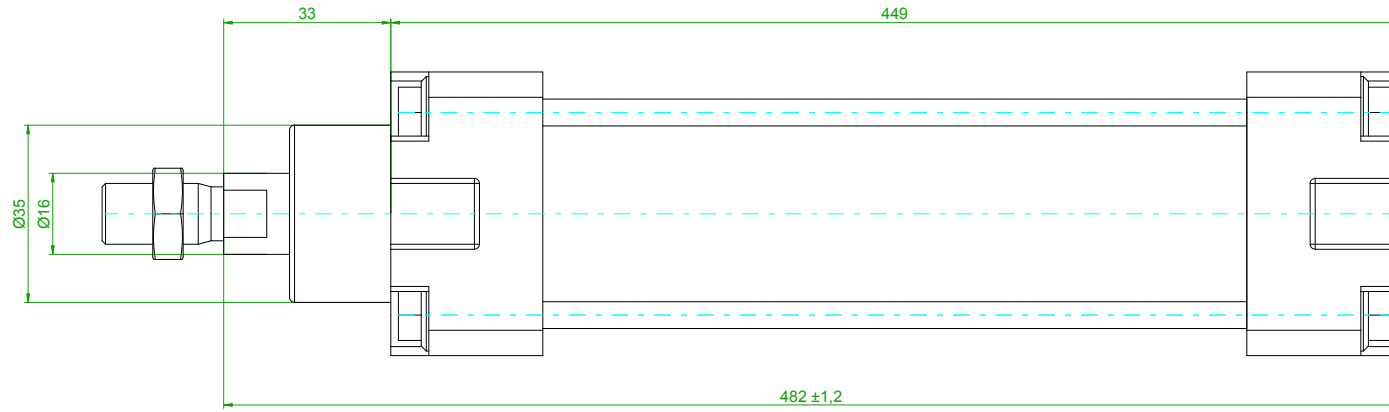


Note:  
Stroke length not to scale.  
For this drawing non-warranty exists, because it is build automatically.

|          |               |              |                  |               |  |                  |                          |                      |
|----------|---------------|--------------|------------------|---------------|--|------------------|--------------------------|----------------------|
| AA       | No changes    | 2019-02-07   | Cylinder         |               |  | -                | -                        |                      |
| Ind.     | Change/Amend. | Datum / Date | Drawn/Gez.       | Checked/Gepr. | Released/Freig.                          | BWN              | Resp. dept/Verantw. Abt. | Add info / Zus. Info |
| LangSpr. | Syst.         | Weight/Gew.  |                  |               | 167-DA-040-0350-DM00-0000SCW0000-0000S0S |                  |                          | Sheet/Bl.            |
| EN       |               | kg           |                  |               |  |                  |                          | 1 / 1                |
|          |               | Scale/M.stab | OFFER DRAWING    |               | Doc. type                                | R480051080 - ZUZ |                          | PO/DT                |
|          |               | ---          | ANGEBOTS-ZEICHN. |               | Repl. for                                |                  |                          | Repl. by             |

© Alle Rechte bei AVENTICS S.p.A., auch für den Fall von Schutzreclamierungen. Jede Veräußerung, wie Kopier- und Weitergaberecht, bei uns.

© This Document, as well as the data, specifications and other informations set forth in it, are the exclusive property of AVENTICS S.p.A. Without their consent it may not be reproduced or given to third parties.



Note:  
Stroke length not to scale.  
For this drawing non-warranty exists, because it is build automatically.  
Dimensions not shown, see technical documentation  
Dimensions in mm

|          |               |              |                  |               |  |                  |                          |                      |           |        |
|----------|---------------|--------------|------------------|---------------|--|------------------|--------------------------|----------------------|-----------|--------|
| AA       | No changes    | 2019-02-07   | Cylinder         |               |  |                  |                          |                      |           |        |
| Ind.     | Change/Amend. | Datum / Date | Drawn/Gez.       | Checked/Gepr. | Released/Freig.                          | BWN              | Resp. dept/Verantw. Abt. | Add info / Zus. Info |           |        |
| LangSpr. | Syst.         | Weight/Gew.  |                  |               | 167-DA-040-0350-DM00-0000SCW0000-0000S0S |                  |                          |                      | Sheet/Bl. |        |
| EN       |               | kg           |                  |               | 1 / 1                                    |                  |                          |                      |           |        |
|          |               | Scale/M.stab | OFFER DRAWING    |               | Doc. type                                | R480051080 - AGZ |                          | PO/DT                | Ind.      | Format |
|          |               | ---          | ANGEBOTS-ZEICHN. |               | MCC                                      |                  |                          | 001                  | AA        | A3     |
|          |               |              |                  |               | Repl. for                                |                  |                          |                      | Repl. by  |        |