



Cable connector size S0 Spring-type terminal

product brand name	SIRIUS	
product category	Infeed systems	
product designation	Connection plug	
suitability for use	circuit-breakers 3RV2	
General technical data		
size of the circuit-breaker	S0	
power loss [W] for rated value of the current at AC in hot operating state per pole	1.92 W	
type of calculation of power loss depending on pole	quadratic	
thermal current	32 A	
Substance Prohibitance (Date)	10/01/2009	
number of poles for main current circuit	3	
operating voltage at AC rated value	500 V	
operational current rated value	3 A	
UL/CSA ratings		
operating voltage at AC according to UL rated value	600 V	
Ambient conditions		
ambient temperature during operation	-20 ... +60 °C	
Environmental footprint		
Environmental Product Declaration (EPD)	Yes	
Global Warming Potential [CO2 eq] total	9.06 kg	
Global Warming Potential [CO2 eq] during manufacturing	0.313 kg	
Global Warming Potential [CO2 eq] during operation	8.72 kg	
Global Warming Potential [CO2 eq] after end of life	0.022 kg	
Electrical Safety		
protection class IP on the front according to IEC 60529	IP20	
touch protection on the front according to IEC 60529	finger-safe, for vertical contact from the front	
Short-circuit protection		
short-circuit rating	corresponds to the installed circuit breaker or load feeder	
Installation/ mounting/ dimensions		
mounting position	any	
fastening method	clip-on	
height	40.2 mm	
width	44.8 mm	
depth	79.9 mm	
Connections/ Terminals		
type of electrical connection for main current circuit	spring-loaded terminals	
Approvals Certificates		
General Product Approval	Test Certificates	Marine / Shipping

[Confirmation](#)



[Type Test Certificates/Test Report](#)

[Special Test Certificate](#)



Marine / Shipping

other



[Miscellaneous](#)

[Confirmation](#)

other

Railway

Environment



[Special Test Certificate](#)



[Environmental Confirmations](#)

Further information

Information on the packaging

<https://support.industry.siemens.com/cs/ww/en/view/109813875>

Information- and Downloadcenter (Catalogs, Brochures,...)

<https://www.siemens.com/ic10>

Industry Mall (Online ordering system)

<https://mall.industry.siemens.com/mall/en/en/Catalog/product?mlfb=3RV2927-5AA00>

Cax online generator

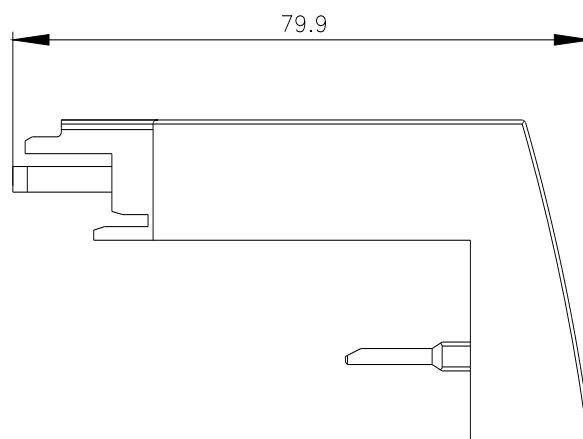
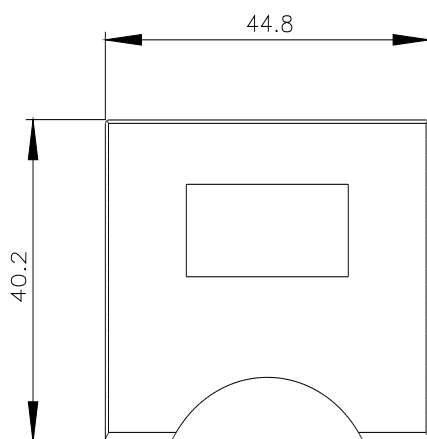
<http://support.automation.siemens.com/WW/CAXorder/default.aspx?lang=en&mlfb=3RV2927-5AA00>

Service&Support (Manuals, Certificates, Characteristics, FAQs,...)

<https://support.industry.siemens.com/cs/ww/en/ps/3RV2927-5AA00>

Image database (product images, 2D dimension drawings, 3D models, device circuit diagrams, EPLAN macros, ...)

http://www.automation.siemens.com/bilddb/cax_de.aspx?mlfb=3RV2927-5AA00&lang=en



last modified:

1/10/2024 