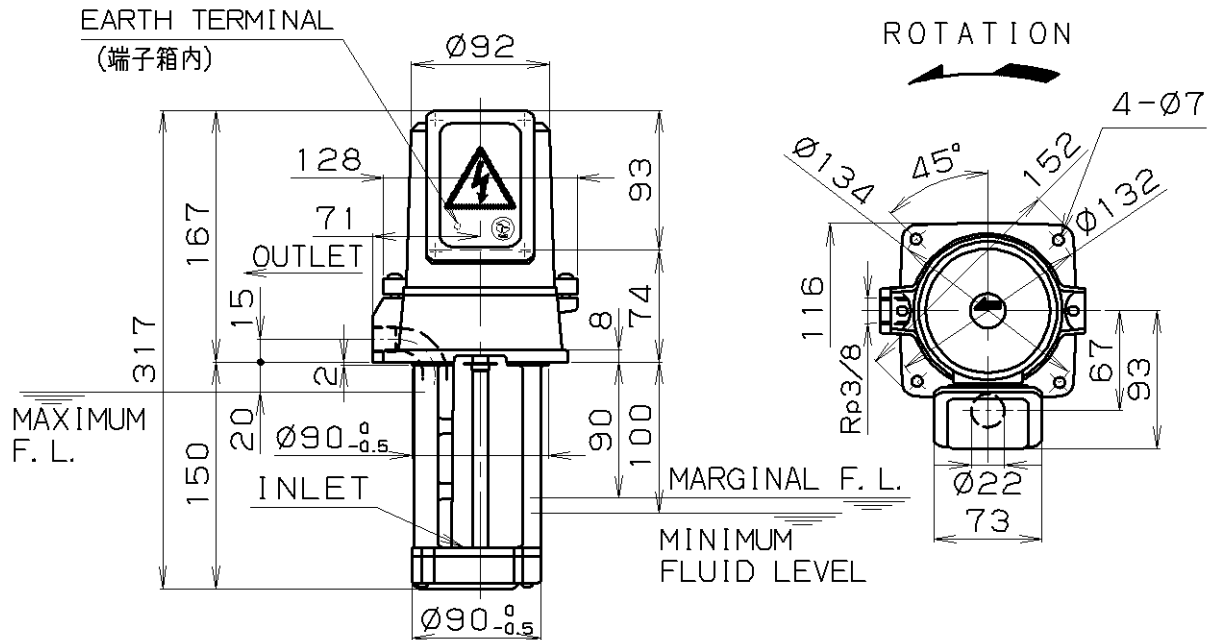


COOLANT PUMP

VKP SERIES (THREE PHASE, IMMERSION TYPE)



DIMENSIONS IN mm

VKP065A	100W	200/200 220	50/60	0.55/0.5 0.5	2865/3435 3465
PUMP TYPE	OUTPUT	VOLT	Hz	A M P	min ⁻¹

45/60 L/min	2	m	SI	D-END	6200ZZ
QUANTITY	TOTAL HEAD	RATING		N-END	6200ZZ
				BEARING	

CUSTOMER : _____ IP54 CE

VIA : _____ PRODUCT NO. GAH3878C

APPLICATION : _____ W. NO. H3878

	DATE	NAME	APPROVED		TERAL INC.
DRAWN	2010-09-01	大島	大塚		DWG. NO. YH555166