

STAR – Ball Rail® Systems Runner Blocks, Steel Version

Runner block 1622-

Slimline

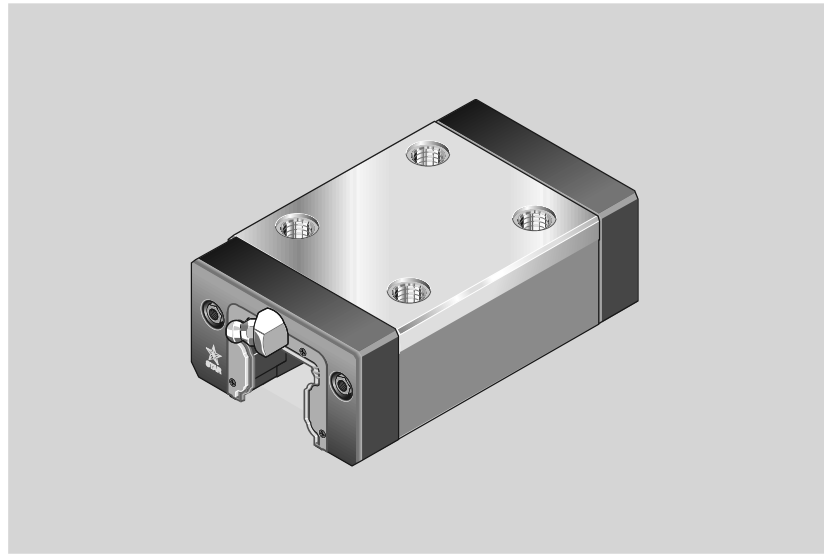
Special versions:

Runner blocks in accuracy class N (clearance and preload 0.02 C) are also available:

- with zinc-iron coating and yellow chromating (part numbers 16...4-30),
- with low friction seals (part numbers 16...4-11).

Size 15 to 35 in accuracy class H (clearance and preload 0.02 C) also available as low noise runner blocks with spacer balls.

Dynamic load capacities and moments are reduced by 35%.
(Part numbers 1622-..3-12)



Part numbers

* 30% higher dynamic load capacities on request

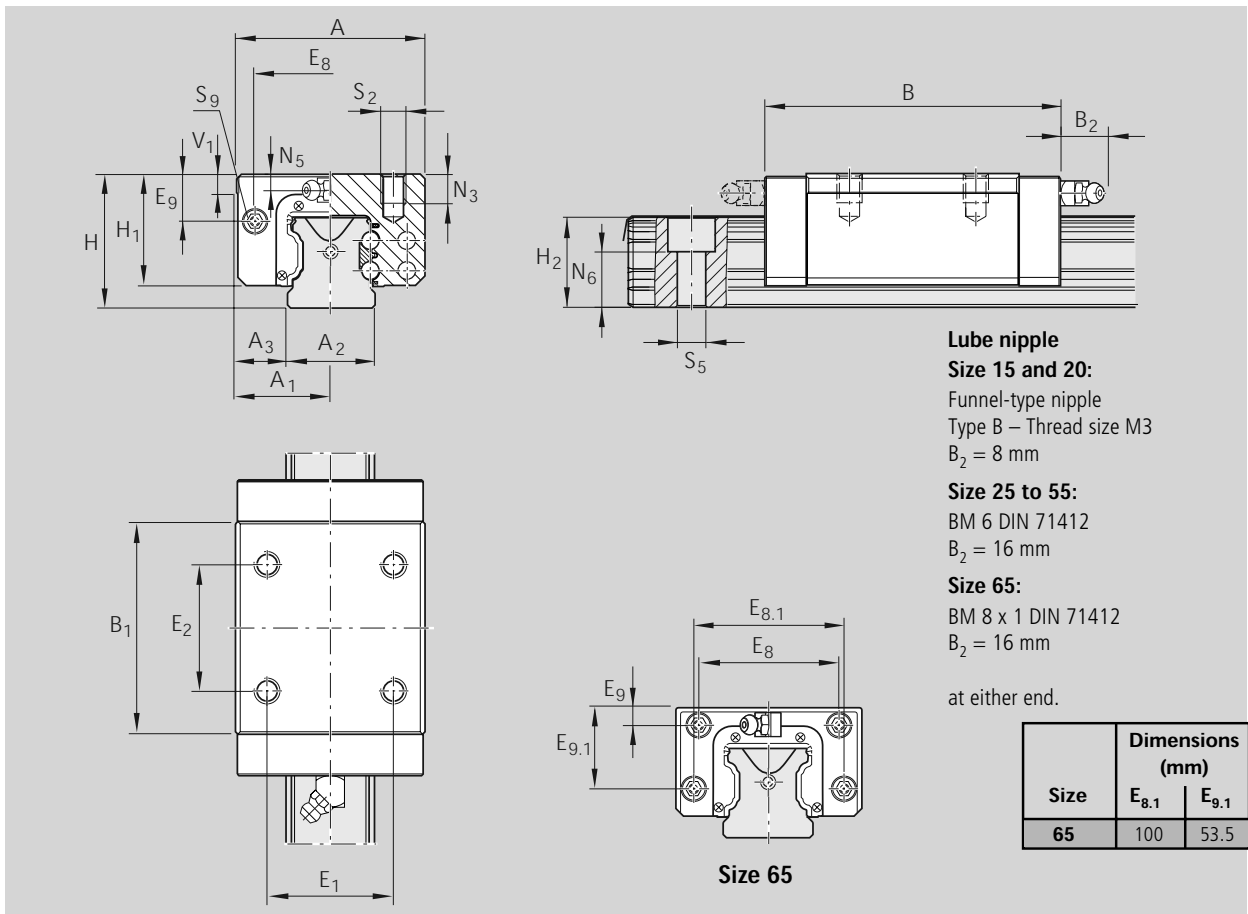
Size	Accuracy class	Part numbers for runner blocks for preload class			
		up to approx. 10 µm clearance	Preload 0.02 C	Preload 0.08 C	Preload 0.13 C
15	P		1622-112-10	1622-122-10	1622-132-10
	H	1622-193-10	1622-113-10	1622-123-10	
	N	1622-194-10	1622-114-10	1622-124-10	
20	P		1622-812-10	1622-822-10	1622-832-10
	H	1622-893-10	1622-813-10	1622-823-10	
	N	1622-894-10	1622-814-10	1622-824-10	
25	P		1622-212-10	1622-222-10	1622-232-10
	H	1622-293-10	1622-213-10	1622-223-10	
	N	1622-294-10	1622-214-10	1622-224-10	
30	P		1622-712-10	1622-722-10	1622-732-10
	H	1622-793-10	1622-713-10	1622-723-10	
	N	1622-794-10	1622-714-10	1622-724-10	
35	P		1622-312-10	1622-322-10	1622-332-10
	H	1622-393-10	1622-313-10	1622-323-10	
	N	1622-394-10	1622-314-10	1622-324-10	
45	P		1622-412-10	1622-422-10	1622-432-10
	H	1622-493-10	1622-413-10	1622-423-10	
	N	1622-494-10	1622-414-10	1622-424-10	
55	P		1622-512-10*	1622-522-10*	1622-532-10*
	H	1622-593-10*	1622-513-10*	1622-523-10*	
	N	1622-594-10*	1622-514-10*	1622-524-10*	
65	P		1622-612-10*	1622-622-10*	1622-632-10*
	H	1622-693-10*	1622-613-10*	1622-623-10*	
	N	1622-694-10*	1622-614-10*	1622-624-10*	

Note on dynamic load capacities and moments (see table)

Determination of dynamic load capacities and moments is based on a travel life of 100,000 m.

For comparison with the 50,000 m travel sometimes applied for rail-type guideways, the figures for **C**, **M_t** and **M_l** in the table should be multiplied by 1.26.





Size	Dimensions (mm)	
	E _{8.1}	E _{9.1}
65	100	53.5

Size	Dimensions (mm)																N ₃
	A	A ₁	A ₂	A ₃	B	B ₁	H	H ₁	H ₂ ¹⁾	H ₂ ²⁾	V ₁	E ₁	E ₂	E ₈	E ₉		
15	34	17	15	9.5	54	39.2	24	19.8	16.3	16.20	5.0	26	26	24.55	6.7		6.0
20	44	22	20	12.0	70	49.6	30	25.4	20.7	20.55	6.0	32	36	32.4	7.3		7.5
25	48	24	23	12.5	81	57.8	36	29.5	24.4	24.25	7.5	35	35	38.3	11.5		9.0
30	60	30	28	16.0	94	67.4	42	35.0	28.5	28.35	7.0	40	40	48.4	14.6		12.0
35	70	35	34	18.0	105	77.0	48	40.0	32.15	31.85	8.0	50	50	58.0	17.5		13.0
45	86	43	45	20.5	133	97.0	60	50.0	40.15	39.85	10.0	60	60	70.0	21.0		18.0
55	100	50	53	23.5	159	115.5	70	57.0	48.15	47.85	12.0	75	75	80.0	22.3		19.0
65	126	63	63	31.5	188	139.6	90	76.0	60.15	59.85	15.0	76	70	76.0	11.0		21.0

1) Dimension H₂ with Rail Seal® cover strip

2) Dimension H₂ without Rail Seal® cover strip

Size	Dimensions (mm)						Mass (kg)	Load capacities (N)				Moments (Nm)			
	N ₅	N ₆ ^{±0.5}	S ₂	S ₅	S ₉	C dyn.		C ₀ stat.	M _t dyn.	M _{t0} stat.	M _L dyn.	M _{L0} stat.			
15	4.0	10.3	M4	4.4	M2.5-3.5 deep	0.15	7 800	13 500	74	130	40	71			
20	4.7	13.2	M5	6.0	M3-5 deep	0.40	18 800	24 400	240	310	130	165			
25	5.5	15.2	M6	7.0	M3-5 deep	0.55	22 800	30 400	320	430	180	240			
30	6.0	17.0	M8	9.0	M3-5 deep	0.90	31 700	41 300	540	720	290	380			
35	7.0	20.5	M8	9.0	M3-5 deep	1.20	41 900	54 000	890	1 160	440	565			
45	8.0	23.5	M10	14.0	M4-7 deep	2.30	68 100	85 700	1 830	2 310	890	1 130			
55	9.0	29.0	M12	16.0	M5-8 deep	3.80	98 200	121 400	3 100	3 860	1 540	1 905			
65	16.0	38.5	M16	18.0	M4-7 deep	6.90	160 000	192 700	6 300	7 610	3 160	3 815			

30% higher dynamic load capacities and moments